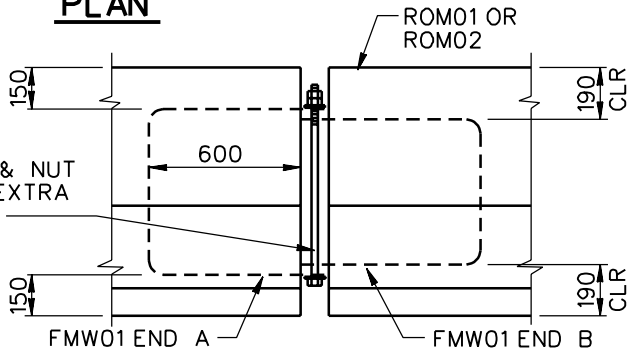
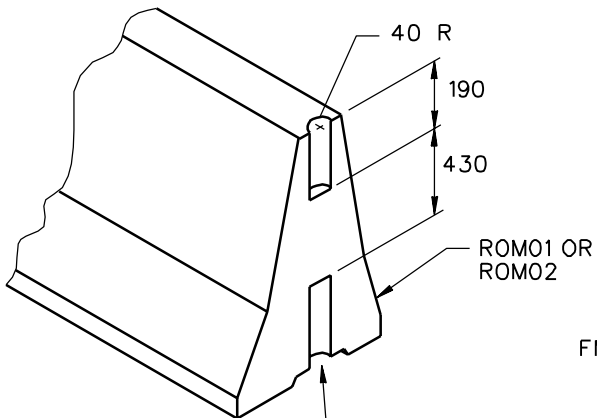


**PLAN**

650 LNG FRS30a STUD & NUT  
w/ FWC30a WASHER & EXTRA  
FNX30a NUT AT EA END

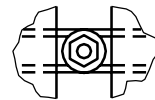


**ELEVATION**

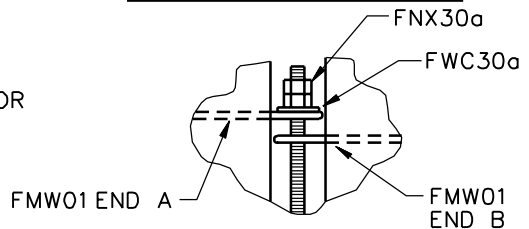


FORM A RECESS IN ROM01  
OR ROM02 TO AID IN  
CONNECTING SECTIONS

1994



**CONNECTION PLAN**



**CONNECTION ELEVATION**

**DETAIL A: CONNECTION**

**PIN & REBAR PORTABLE CONCRETE BARRIER**

**SWC04**

SHEET NO.	REF. NO.
1 of 2	PCB-5-88