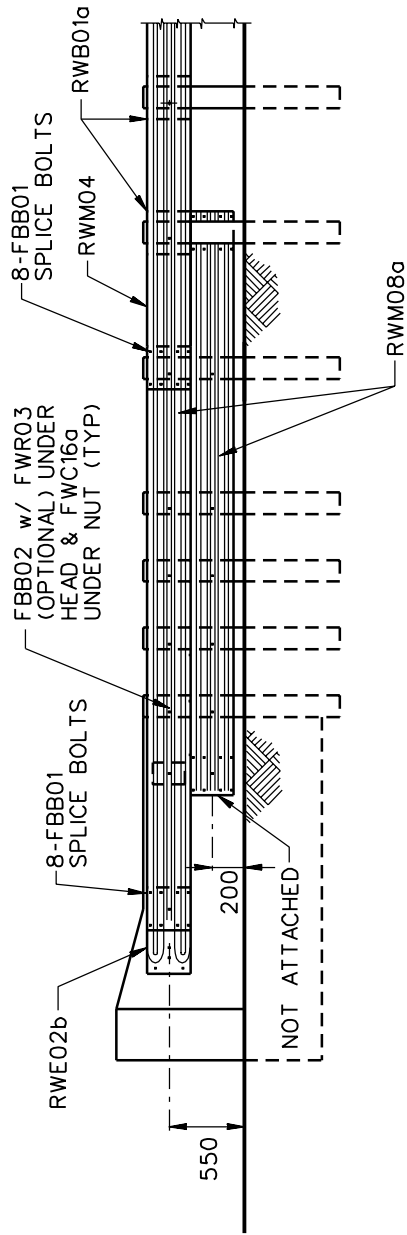


PLAN



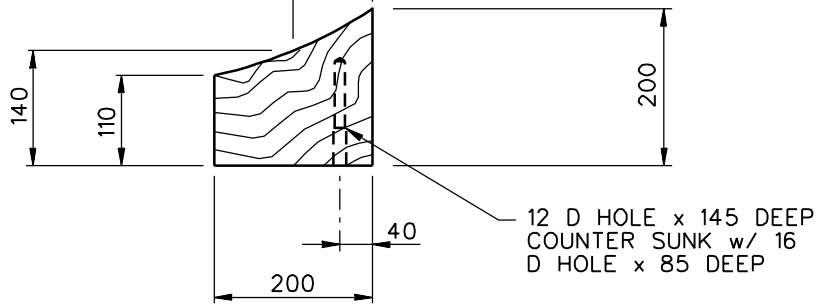
ELEVATION

1994

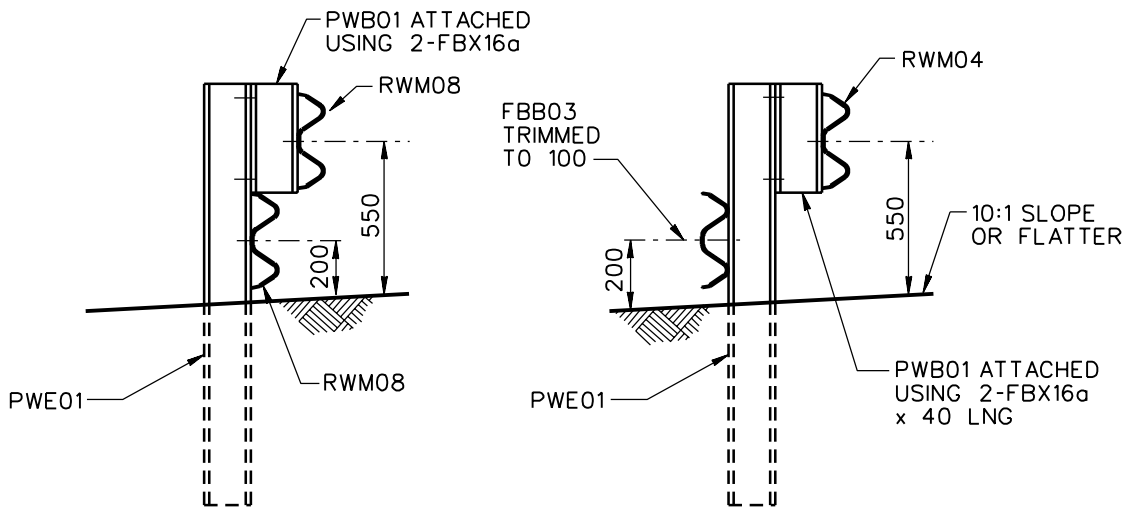
W-BEAM TO CURVED BACK WALL TRANSITION

STB03

SHEET NO.	REF. NO.
1 of 4	



MODIFIED PDB07 BLOCK



SECTION A-A

SECTION B-B

1994

W-BEAM TO CURVED BACK WALL TRANSITION

STB03

SHEET NO.	REF. NO.
3 of 4	