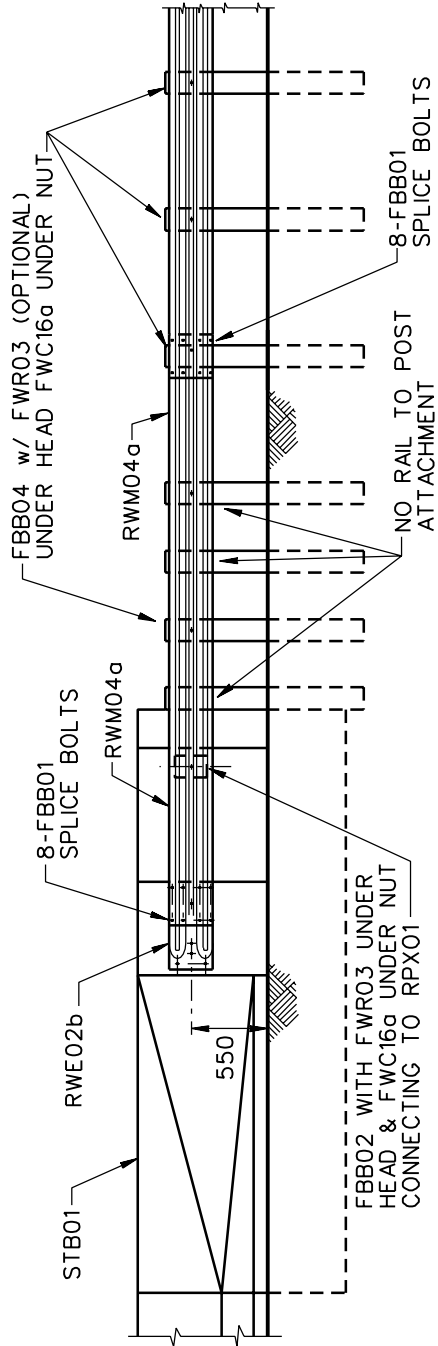


PLAN



ELEVATION

1994

W-BEAM TO FLARED CONCRETE WALL TRANSITION

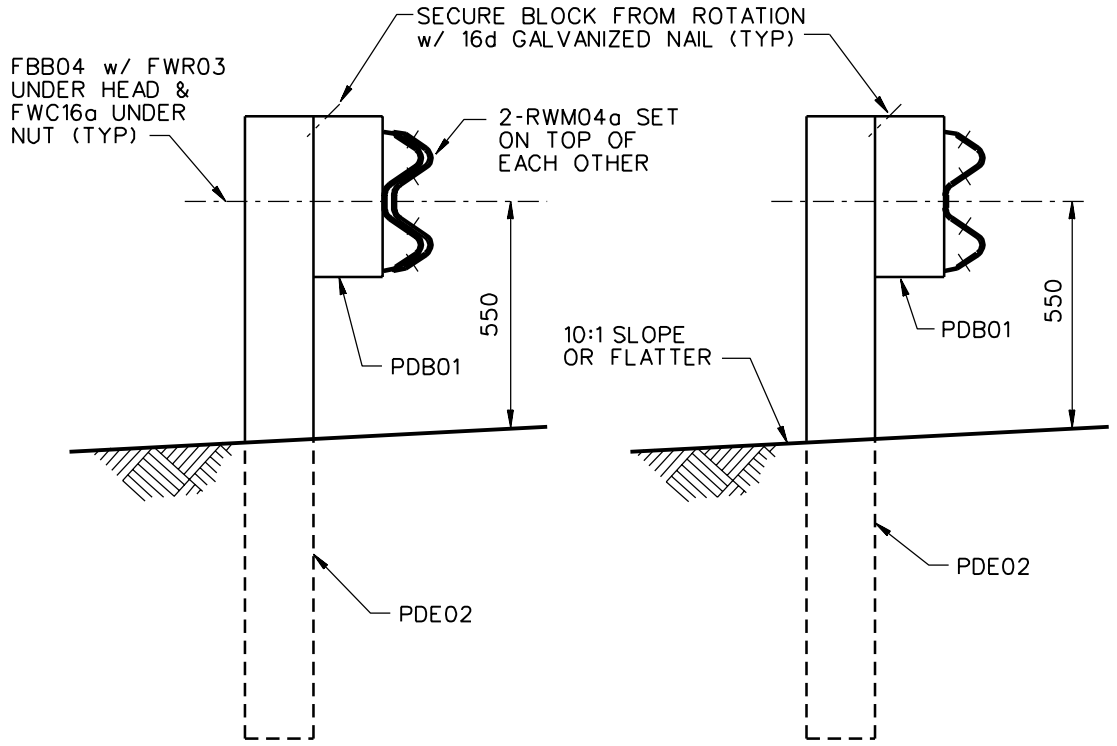
STB02

SHEET NO.

REF. NO.

1 of 4

NOTE: POST PWE01 AND BLOCKOUT PWB01 ARE ACCEPTABLE ALTERNATIVES FOR PDE02 & PDB01



SECTION A-A

SECTION B-B

1994

W-BEAM TO FLARED CONCRETE WALL TRANSITION

STB02

SHEET NO.

REF. NO.

3 of 4