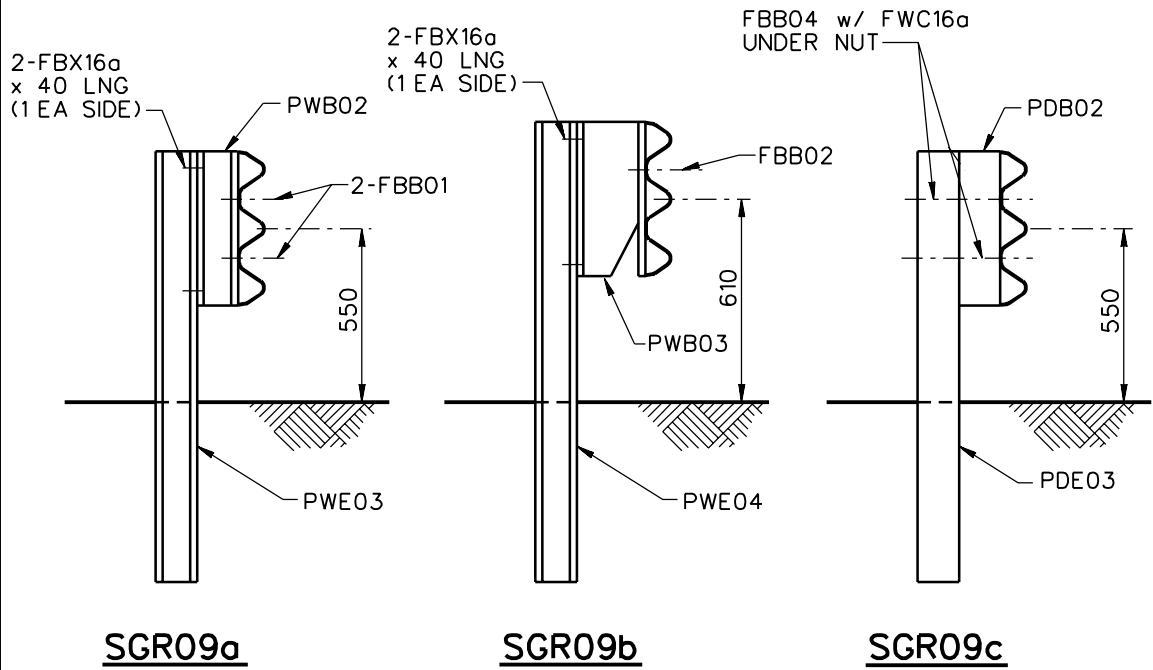


ELEVATION



1994

STRONG-POST THRIE-BEAM GUARDRAIL

SGR09a-c

SHEET NO.	REF. NO.
1 of 2	G9