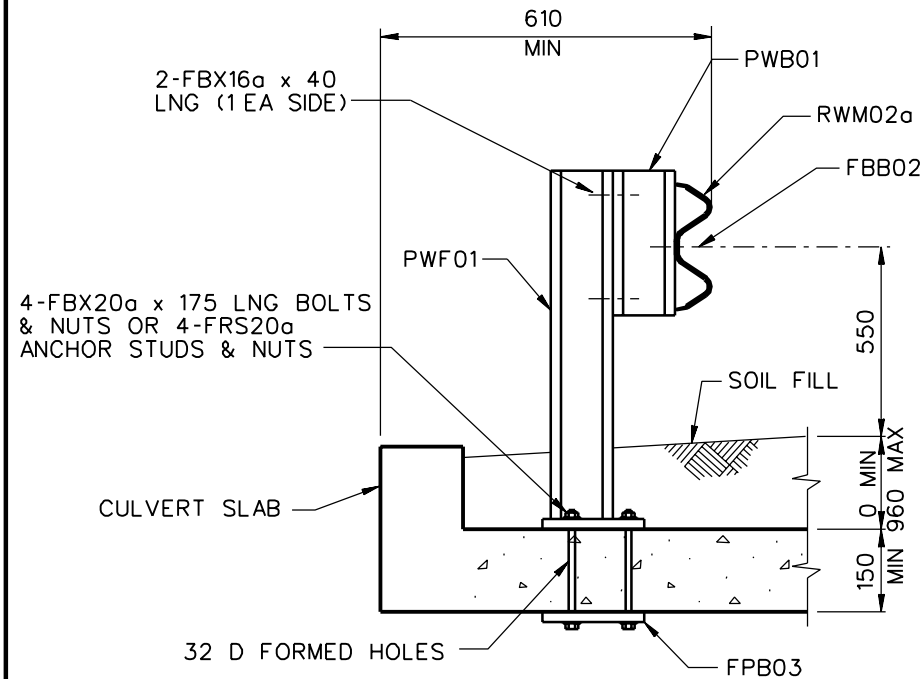


ELEVATION



SECTION

CULVERT MOUNTED W-BEAM GUARDRAIL

SGR05

SHEET NO.	REF. NO.
1 of 2	