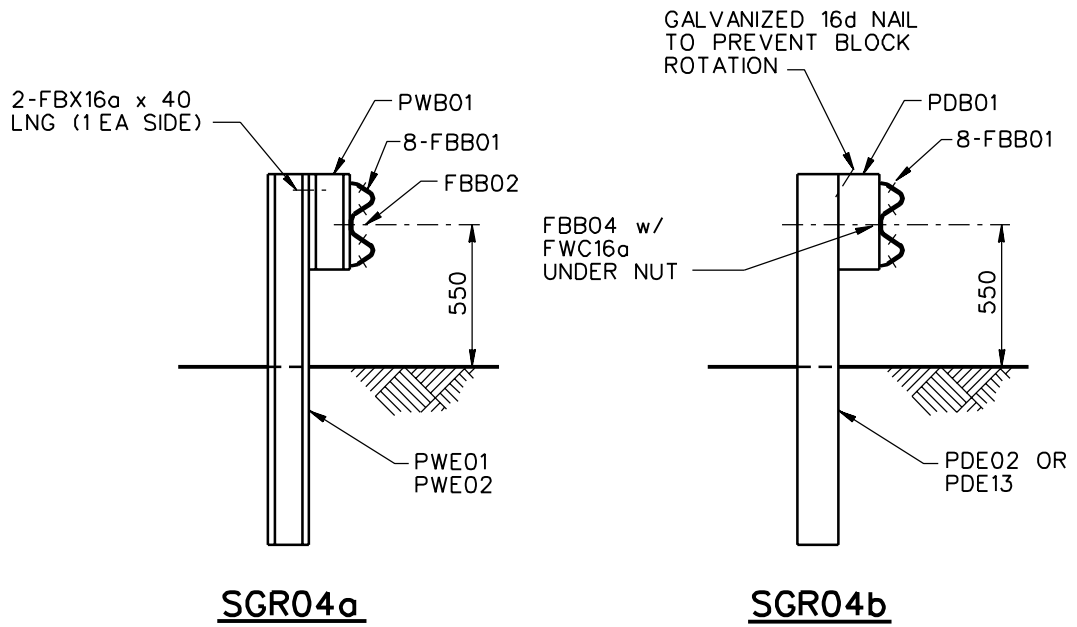


ELEVATION



1994

STRONG-POST W-BEAM GUARDRAIL

SGR04a-b

SHEET NO.	REF. NO.
1 of 2	G4