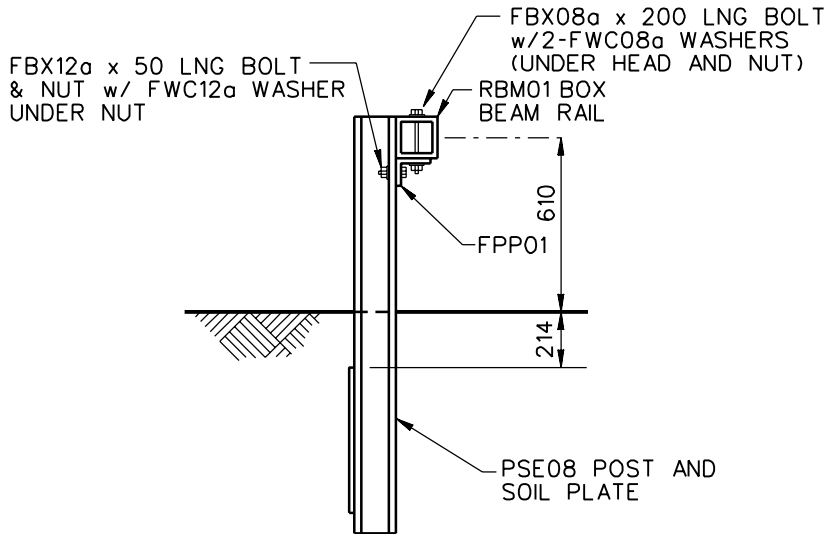


**ELEVATION**



**WEAK POST BOX-BEAM GUARDRAIL**

**SGR03**

SHEET NO.	REF. NO.
1 of 2	G3