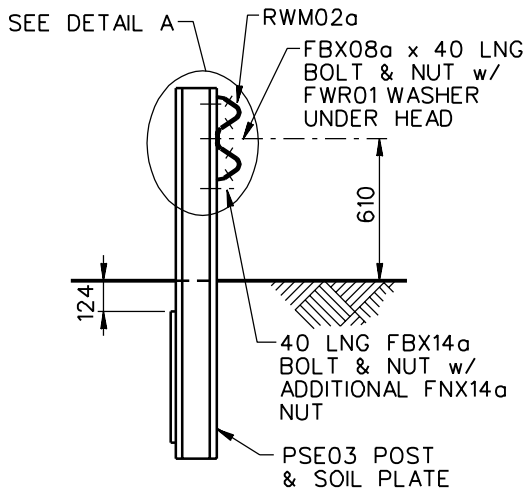
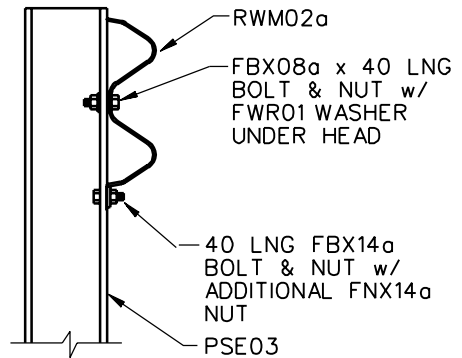


ELEVATION



SECTION



DETAIL A: RAIL-POST ATTACHMENT

1994

WEAK-POST W-BEAM GUARDRAIL

SGR02

SHEET NO.

REF. NO.

1 of 2

G2