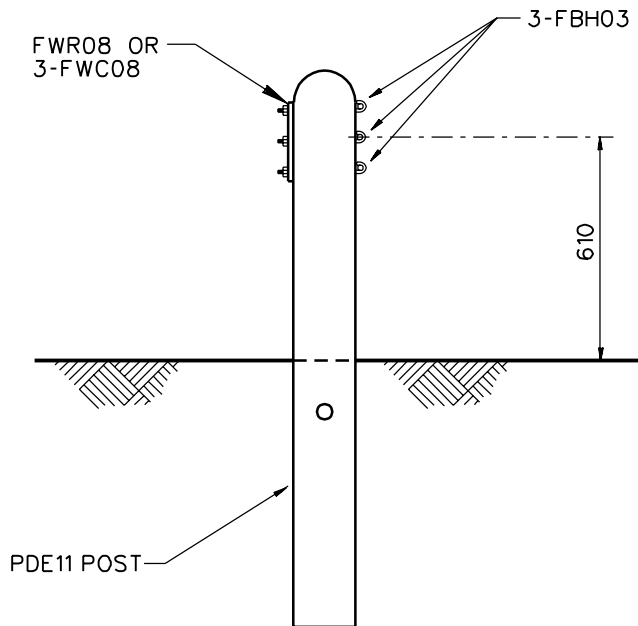


**ELEVATION**



1994

**WEAK-TIMBER POST CABLE GUARDRAIL**

**SGR01c**

SHEET NO.	REF. NO.
1 of 2	G1c

### INTENDED USE

Cable guardrails are commonly used where there is adequate room behind the barrier to allow the guardrail to deflect up to 3000 mm. This system must be anchored using a cable anchor and terminal system like SEC01.

### COMPONENTS

Unit Length = 3800

	Designator	Component	Number
	FBH03	Hook bolts and nuts	3
	FWC08a	Washers	3
or	FWR08	Plate washer	1
	PDE11	Weakened timber post	1
	RCM01	Cable (300 m typical)	3

### REFERENCES

D. Stout and J. Hinch, *Test and Evaluation of Traffic Barriers: Final Report*, Federal Highway Administration, FHWA-RD-89-119, April, 1989.

C.E. Buth, W.L. Campise, L.I. Griffith, M.L. Love and D.L. Sicking, *Performance Limits of Longitudinal Barriers*, Federal Highway Administration, FHWA-RD-86-153, May, 1985.

## WEAK-TIMBER POST CABLE GUARDRAIL

# SGR01c

SHEET NO.

DATE

2 of 2

03-22-00

