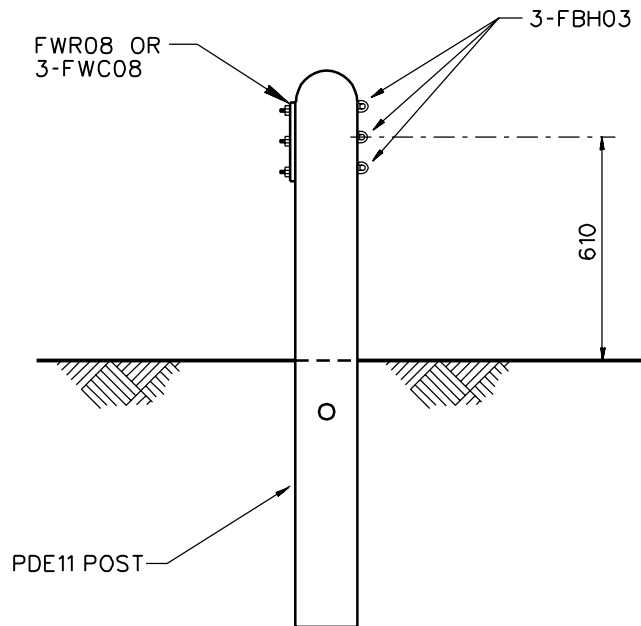


**ELEVATION**



1994

**WEAK-TIMBER POST CABLE GUARDRAIL**

**SGR01c**

SHEET NO.	REF. NO.
1 of 2	G1c