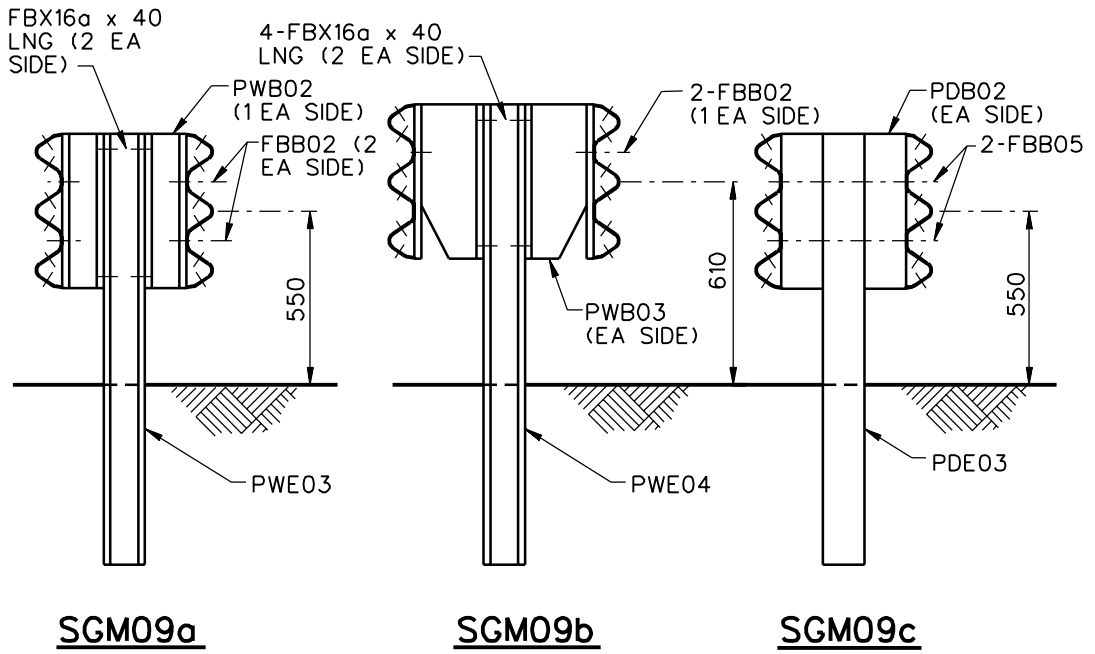


ELEVATION



1994

STRONG-POST THRIE-BEAM MEDIAN BARRIER

SGM09a-c

SHEET NO.	REF. NO.
1 of 2	MB9