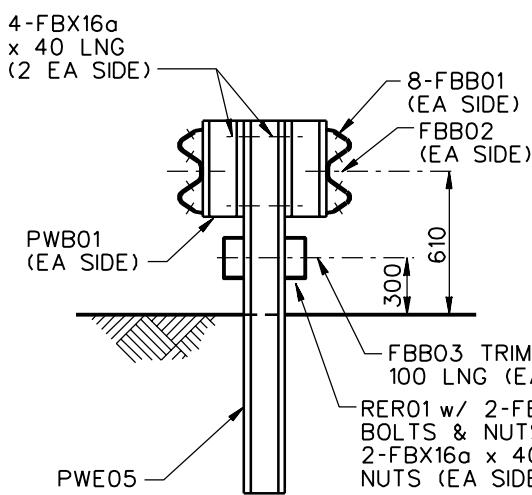
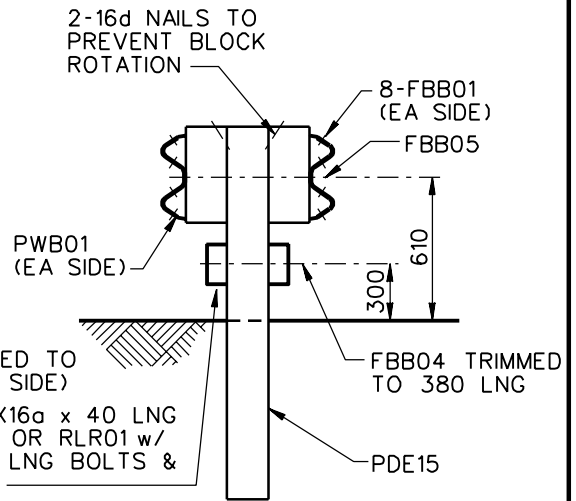


ELEVATION



SGM06a



SGM06b

1994

STRONG-POST MEDIAN BARRIER WITH RUB RAIL

SGM06a-b

SHEET NO.	REF. NO.
1 of 2	