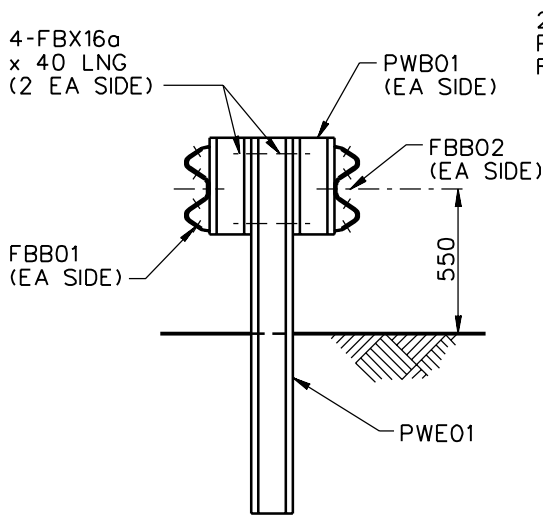
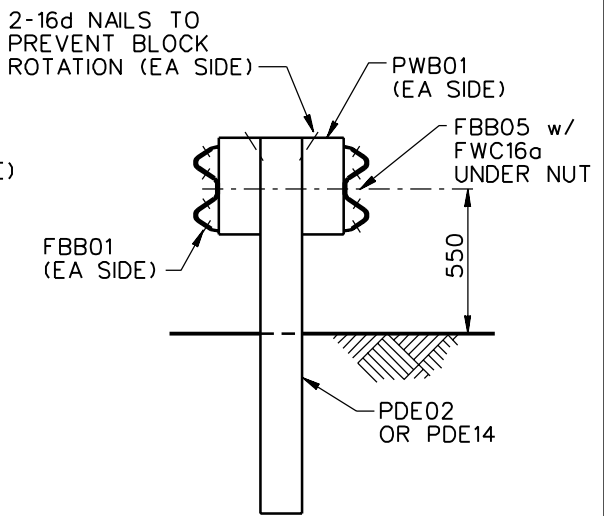


ELEVATION



SGM04a



SGM04b

1994

STRONG-POST W-BEAM MEDIAN BARRIER

SGM04a-b

SHEET NO.	REF. NO.
1 of 2	MB4