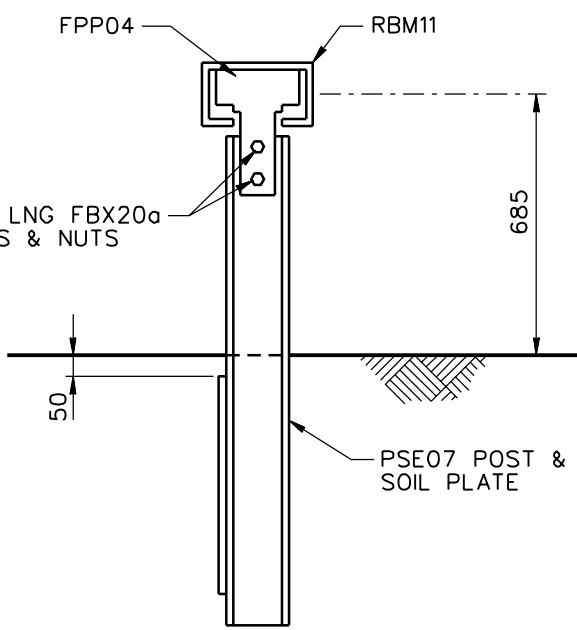


ELEVATION



WEAK-POST BOX-BEAM MEDIAN BARRIER

		SGM03	
		SHEET NO. 1 of 2	REF. NO. MB3