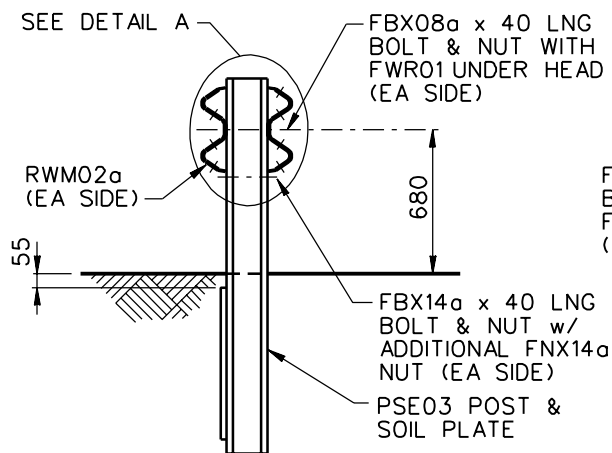
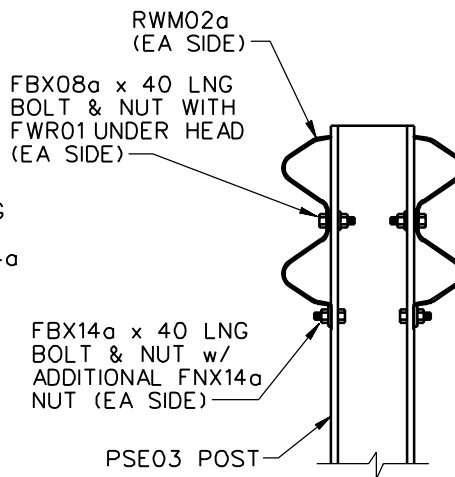


ELEVATION



SECTION



DETAIL A: RAIL-POST ATTACHMENT

1994

WEAK-POST W-BEAM MEDIAN BARRIER

SGM02

SHEET NO.	REF. NO.
1 of 2	MB2