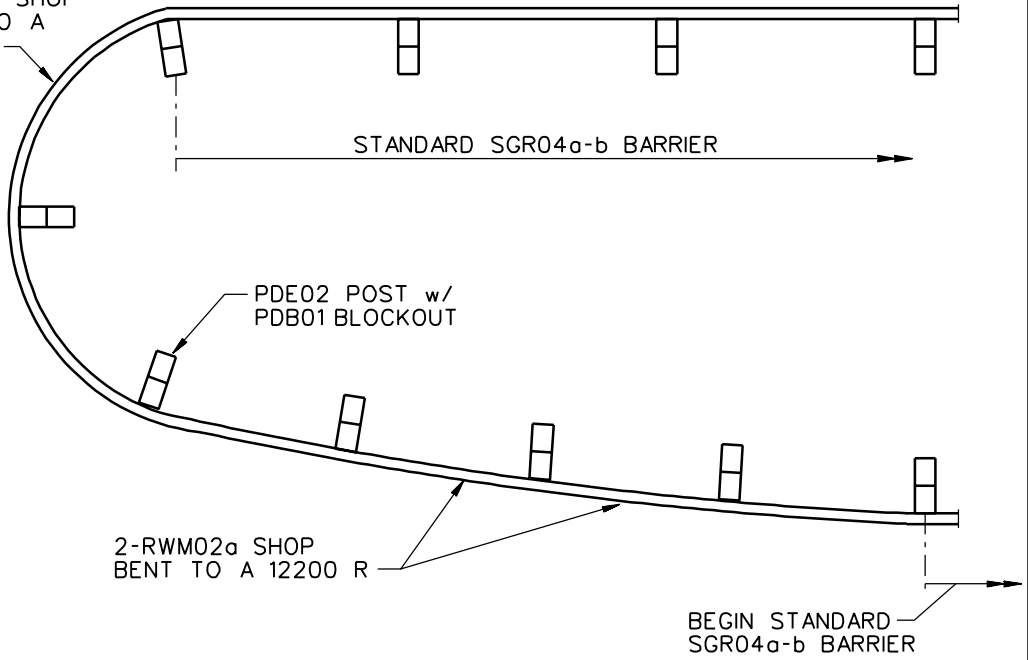


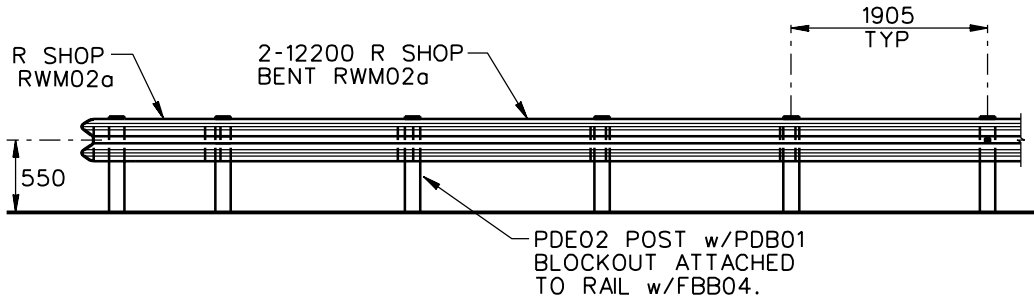
RWM02 α SHOP
BENT TO A
1525 R



PLAN

1525 R SHOP
BENT RWM02 α

2-12200 R SHOP
BENT RWM02 α



ELEVATION

1994

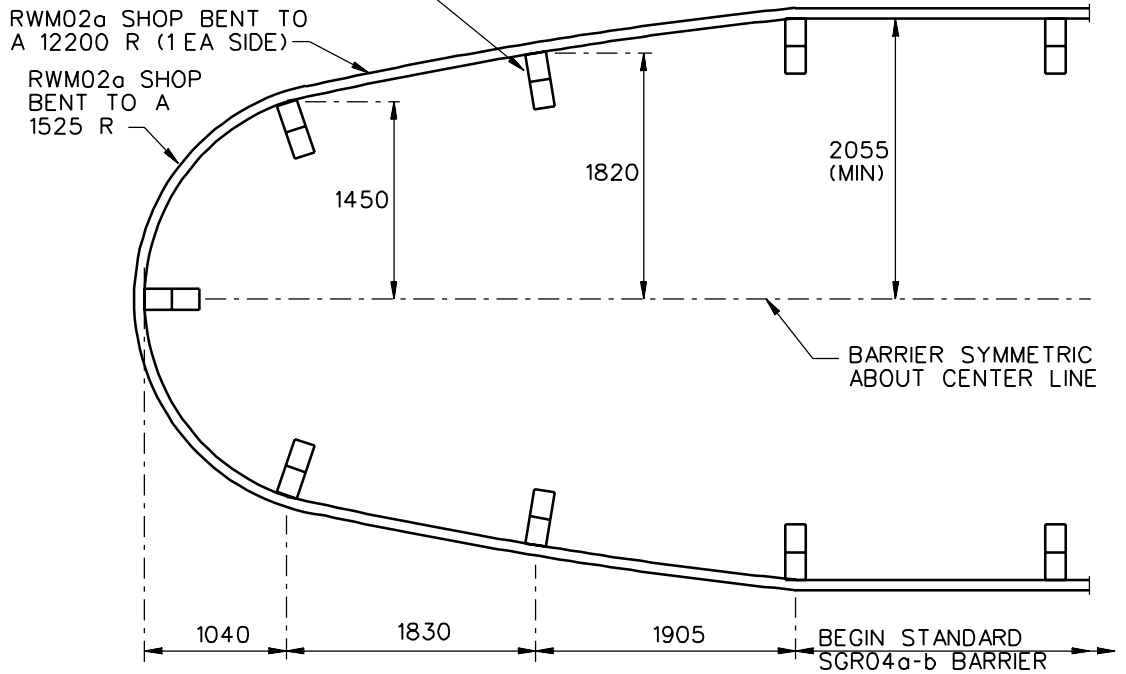
WIDE BULLNOSE MEDIAN BARRIER TERMINAL

SEW10

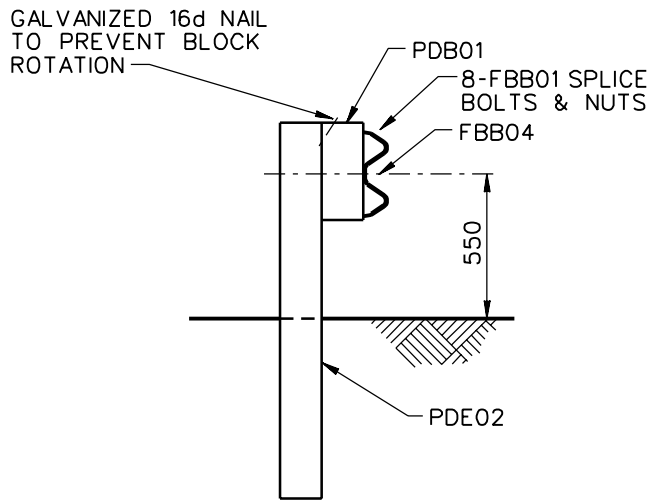
SHEET NO.

REF. NO.

1 of 4



ALTERNATE PLAN



SECTION

1994

WIDE BULLNOSE MEDIAN BARRIER TERMINAL

SEW10

SHEET NO.	REF. NO.
3 of 4	