

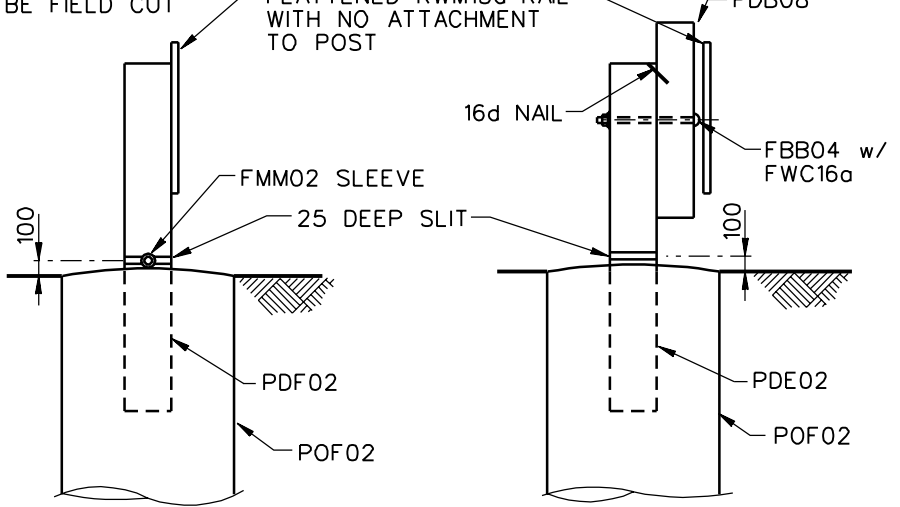
BULLNOSE MEDIAN BARRIER TERMINAL

SEW09

SHEET NO.	REF. NO.
1 of 4	

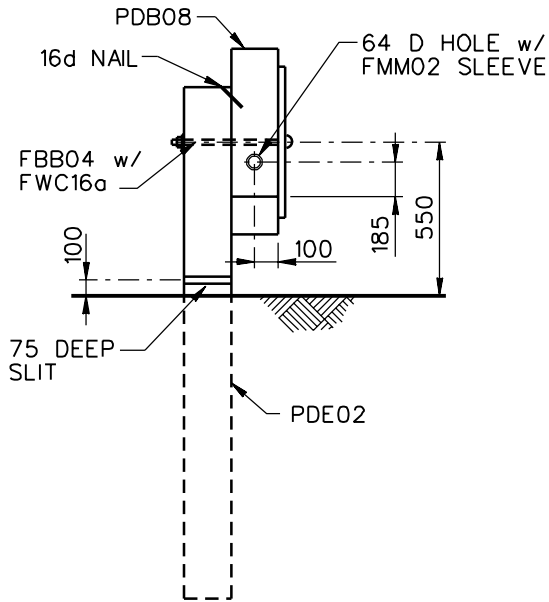
MAY BE FIELD CUT

WITH NO ATTACHMENT TO POST



POST 2

POST 4

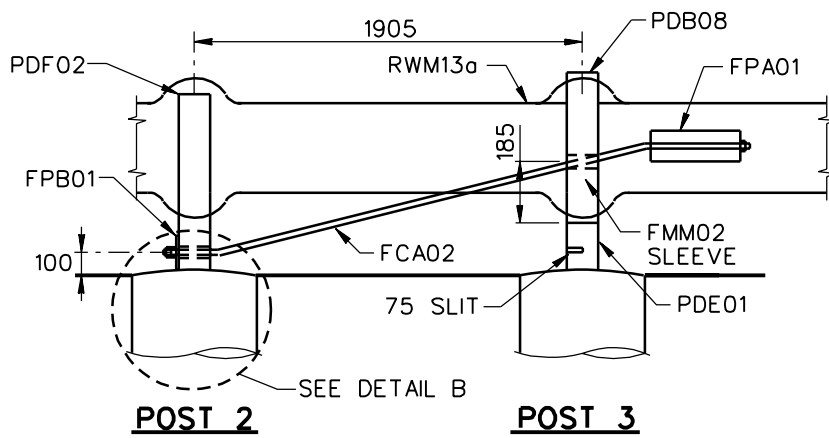


POST 3 & 5

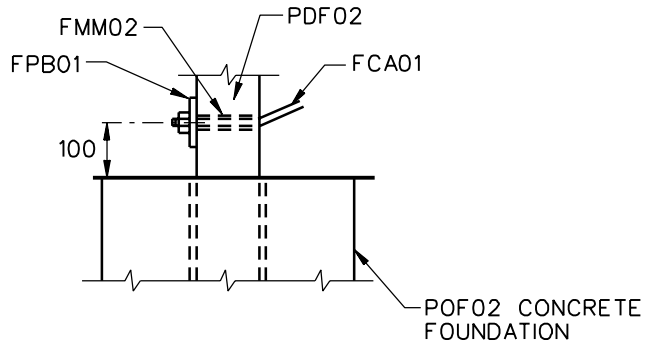
BULLNOSE MEDIAN BARRIER TERMINAL

SEW09

SHEET NO.	REF. NO.
3 of 4	



DETAIL A: ANCHOR CABLE ASSEMBLY



DETAIL B

BULLNOSE MEDIAN BARRIER TERMINAL

SEW09

SHEET NO.	REF. NO.
-----------	----------

4 of 4