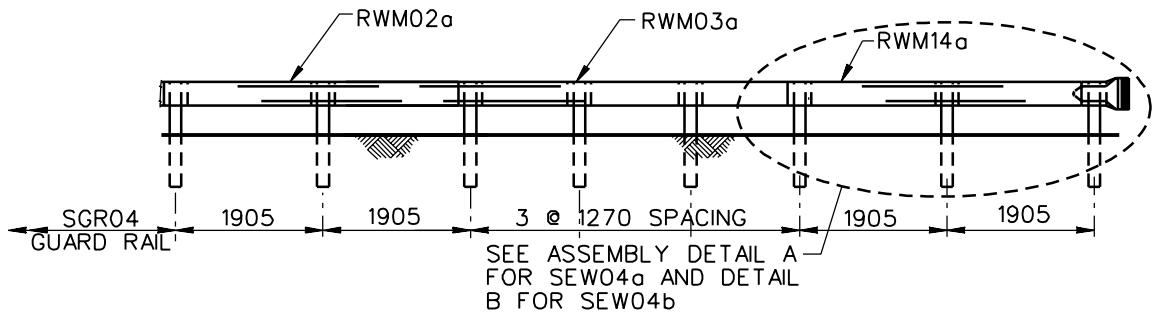
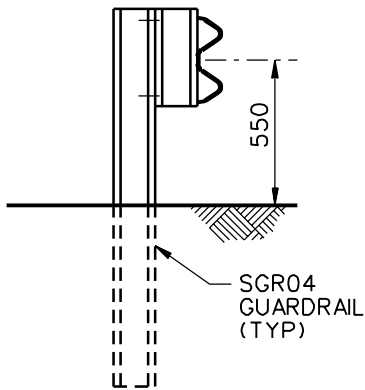


PLAN



ELEVATION



SECTION A-A

POST	OFFSET FROM TANGENT
1	1220
2	850
3	550
4	380
5	240
6	140
7	35
8	0

NOTES:

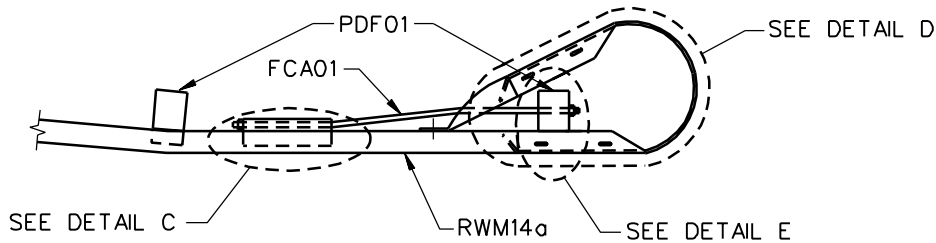
1. THE 1220 FLARE AT THE BCT TERMINAL END IS ESSENTIAL TO PROPER BCT PERFORMANCE.
2. DIMENSIONS SHOWN FOR POST LAYOUT ARE TO THE BLOCKOUT EXCEPT FOR THE FIRST TWO POSTS WHERE NO BLOCKOUTS ARE USED.

1992

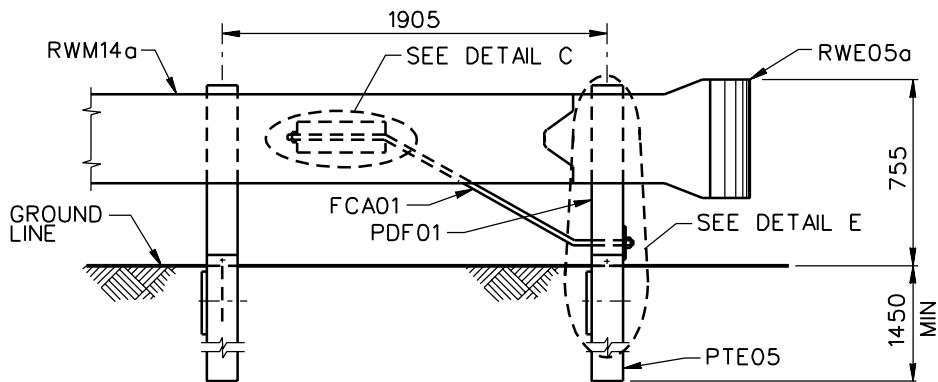
STEEL-POST BREAKAWAY CABLE TERMINAL

SEW04a-b

SHEET NO.	REF. NO.
1 of 8	



PLAN



ELEVATION

DETAIL A: BUFFERED END & ANCHORAGE-SEW03a

STEEL-POST BREAKAWAY CABLE TERMINAL

SEW04a-b

SHEET NO.	REF. NO.
-----------	----------

3 of 8	
--------	--