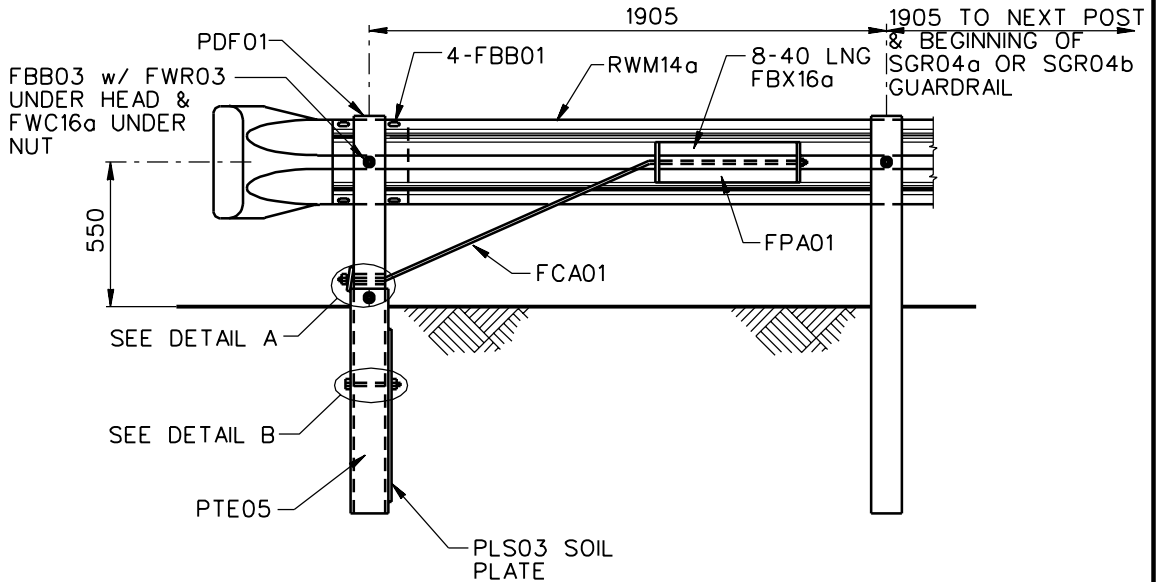
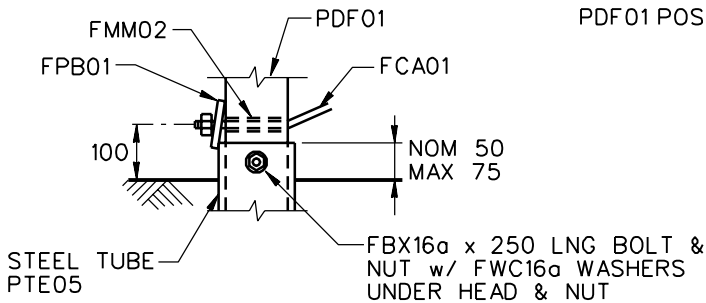


PDB01 ATTACHED TO PDE01 w/ FBB04 w/ FWR03 UNDER HEAD & FWC16a UNDER NUT (SGR04b) OR PWB01 ATTACHED TO PWE01 w/ 2-FBX16a x 40 LNG & FBB02 w/ FWR03 UNDER HEAD (SGR04a)

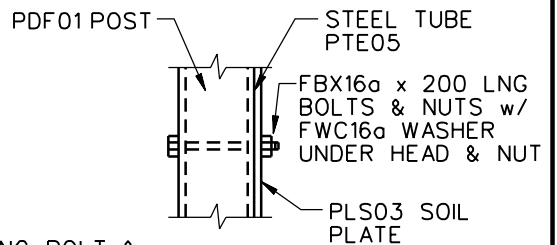
PLAN



ELEVATION



DETAIL A



DETAIL B

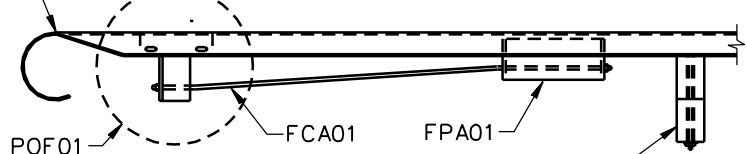
1994

TRAILING END TERMINAL-FOUNDATION TUBE OPTION

SEW02a

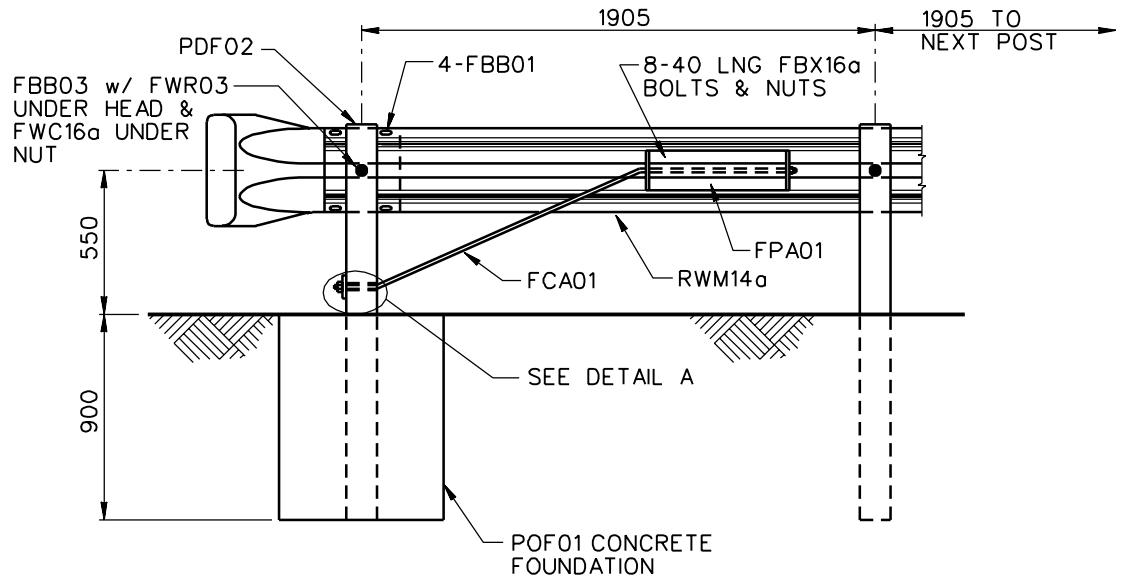
SHEET NO.	REF. NO.
1 of 2	

RW0200

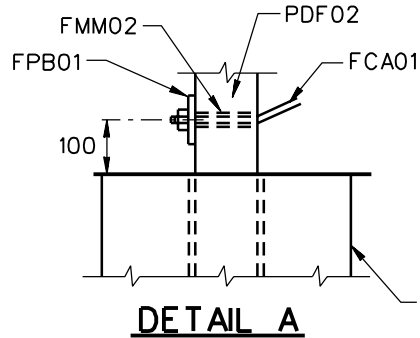


PDB01 ATTACHED TO PDE01 w/ FBB04 w/ FWR03 UNDER HEAD & FWC16a UNDER NUT (SGR04b) OR PWB01 ATTACHED TO PWE01 USING 2-FBX16a x 40 LNG & FBB02 GUARD-RAIL w/ FWR03 UNDER HEAD (SGR04a)

PLAN



ELEVATION



DETAIL A

NOTE:

POLYSTYRENE SHEETING, COMPOSITION PAPER OR SOME OTHER MATERIAL SHALL BE WRAPPED AROUND THE CONCRETE EMBEDDED PORTION OF THE POST TO AID IN REMOVING BROKEN OR DAMAGED POSTS.

1994

TRAILING END TERMINAL-CONCRETE FOOTING OPTION

SEW02b

SHEET NO.	REF. NO.
1 of 2	