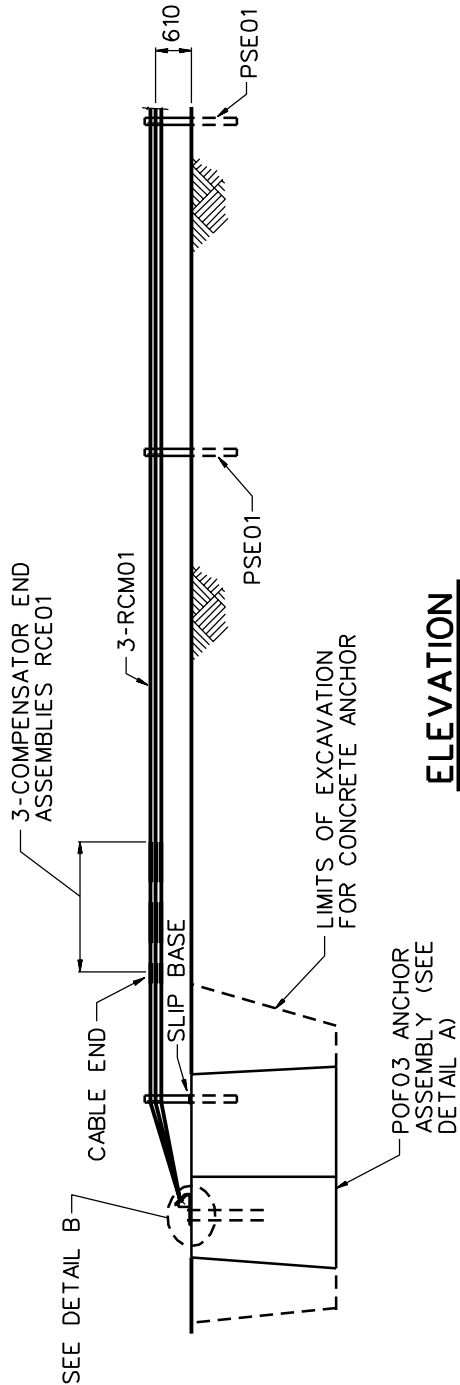


PLAN



ELEVATION

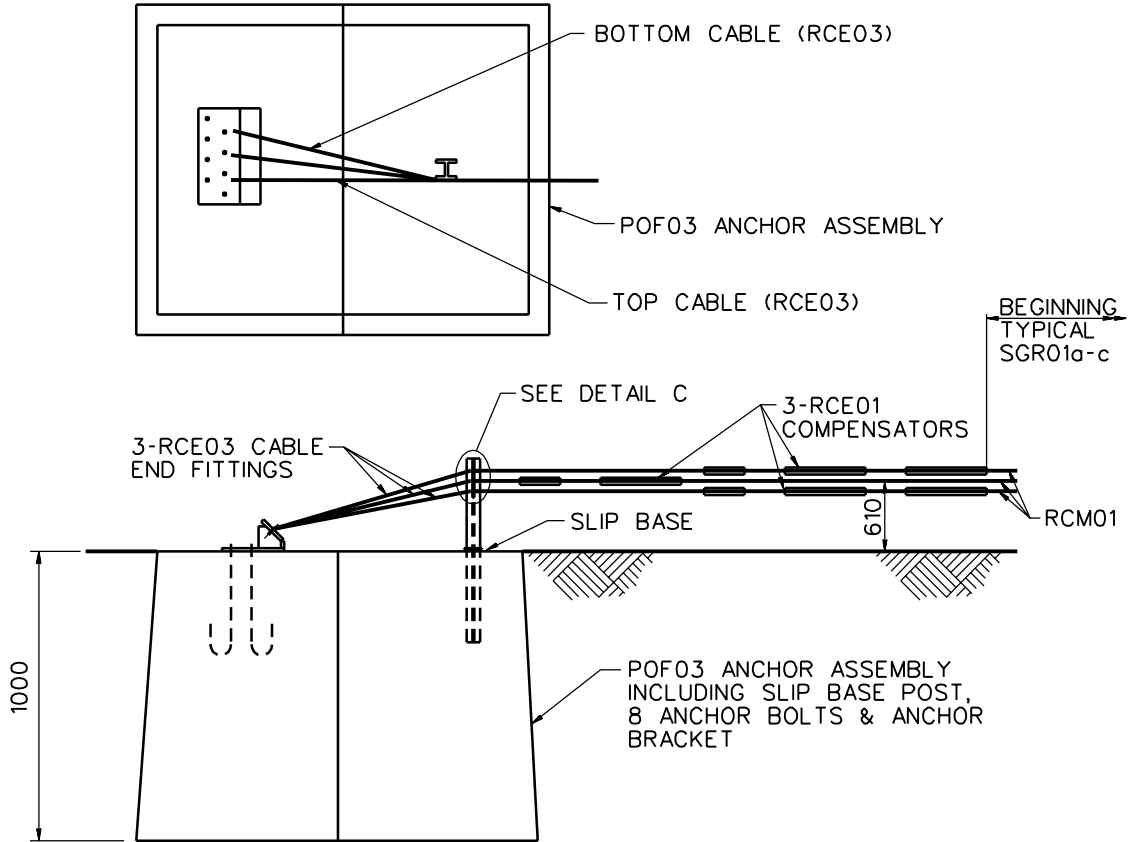
CABLE GUARDRAIL ANCHOR

SEC01

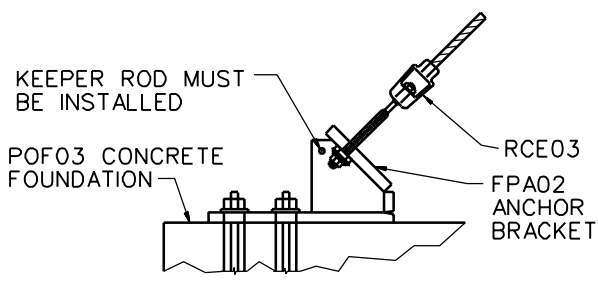
SHEET NO.

REF. NO.

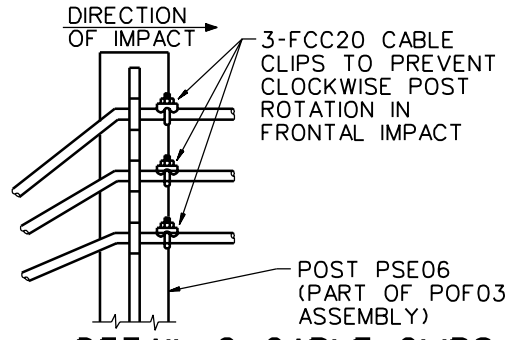
1 of 4



**DETAIL A: FOUNDATION ASSEMBLY**



**DETAIL B: ANCHOR BRACKET**



**DETAIL C: CABLE CLIPS**

**CABLE GUARDRAIL ANCHOR**

<b>SEC01</b>	
SHEET NO.	REF. NO.
3 of 4	