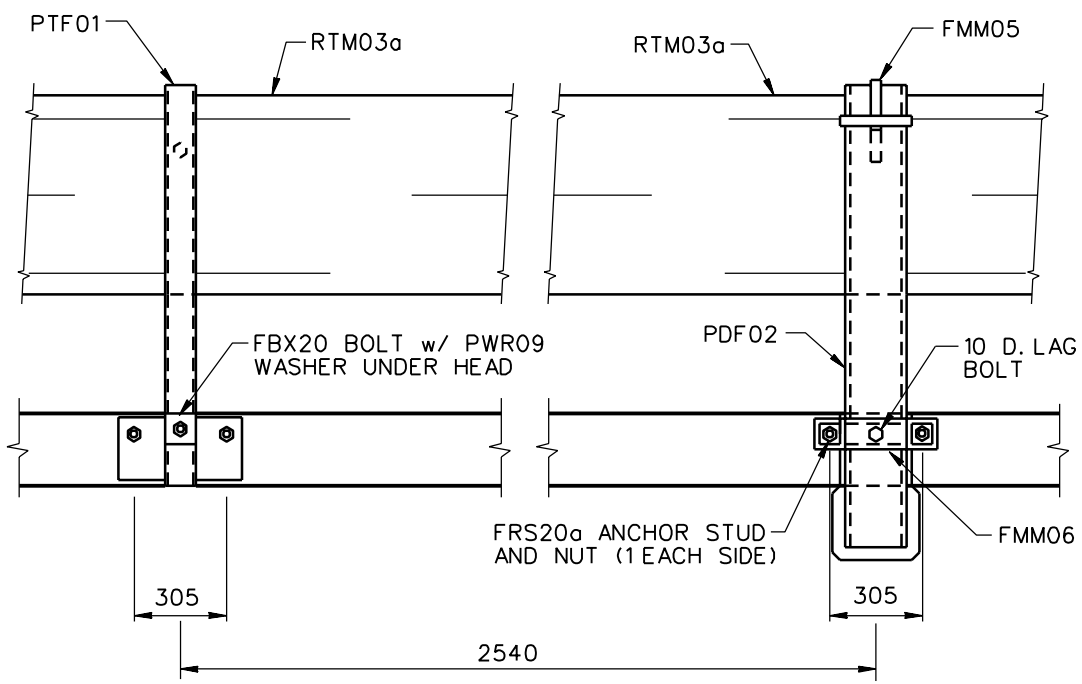


PLAN



SBT01a

SBT02a

ELEVATION

1994

FACE-MOUNTED THRIE-BEAM BRIDGE RAILING

SBT01a-2a

SHEET NO.	REF. NO.
3 of 4	