

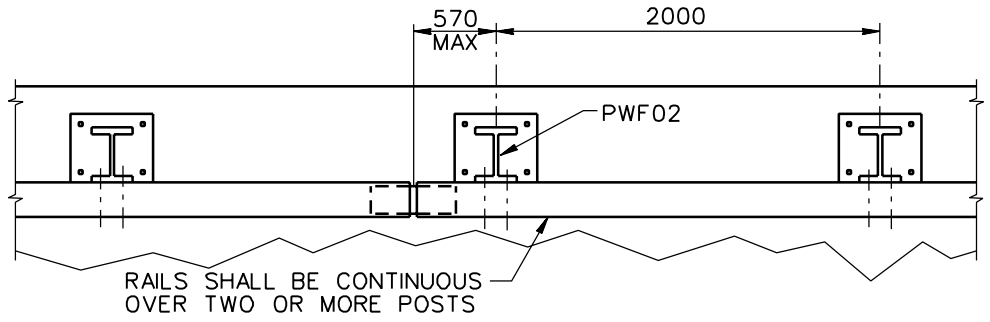
**BAR A (15)**

1994

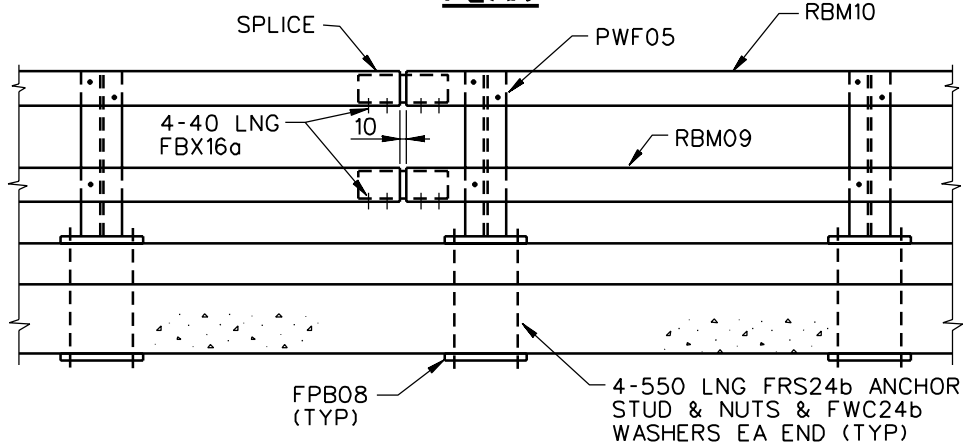
**2-TUBE CURB-MOUNTED BRIDGE RAILING**

**SBB01b**

SHEET NO.	REF. NO.
1 of 4	



**PLAN**



**ELEVATION**

1994

**2-TUBE CURB-MOUNTED BRIDGE RAILING**

**SBB01b**

SHEET NO.	REF. NO.
3 of 4	