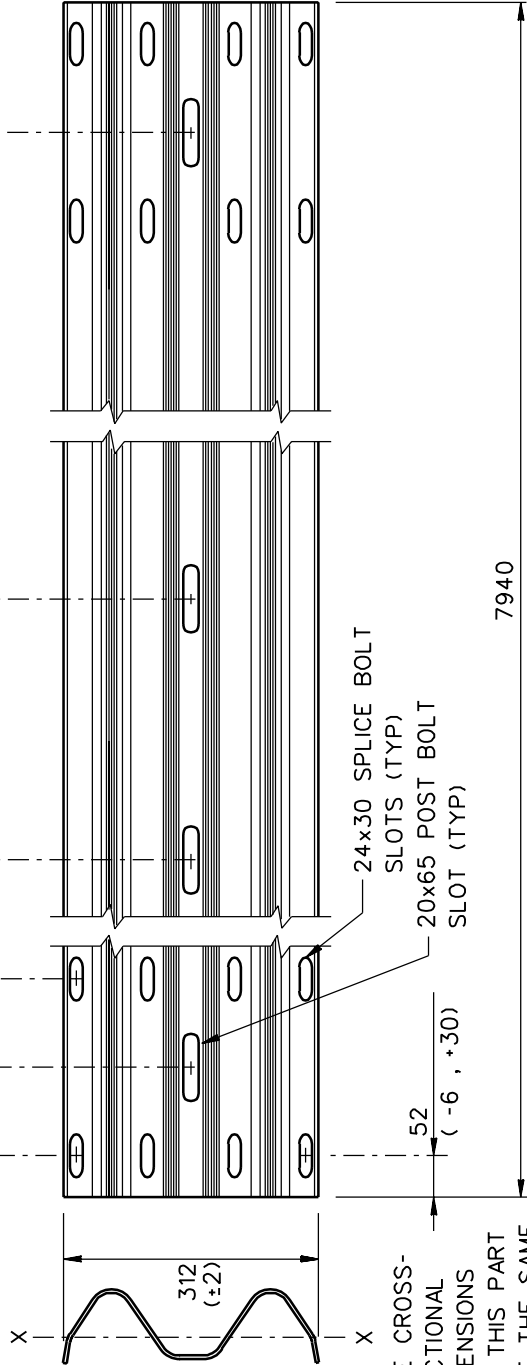


DESIGNATOR	BASE METAL THICKNESS
RWM22a	2.67
RWM22b	3.43

4 EQUAL POST HOLE SPACINGS @ 1905 EA

216
108
108

1905
(TYP)



THE CROSS-SECTIONAL DIMENSIONS OF THIS PART ARE THE SAME AS PART RWM02a (SHT 3 of 4).

1994

LONG 2-SPACE W-BEAM GUARDRAIL

RWM22a-b

SHEET NO.	REF. NO.
1 of 2	RE-3-71