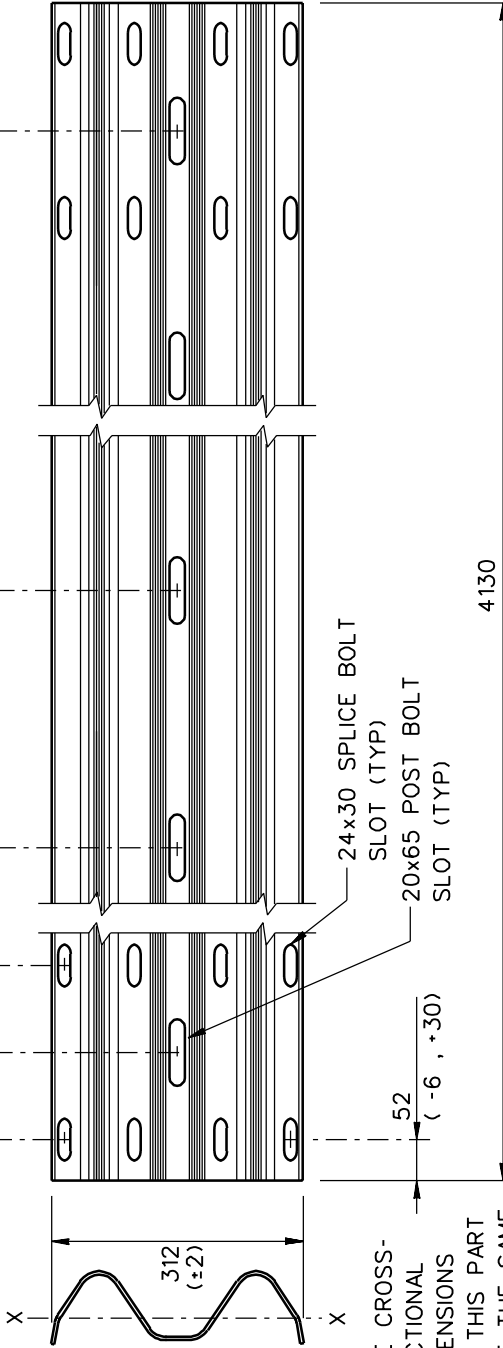


DESIGNATOR	BASE METAL THICKNESS
RWM08a	2.67
RWM08b	3.43

8 EQUAL POST HOLE SPACINGS @ 476.25 EA

476.25
(TYP)

216
108
108



4130

THE CROSS-SECTIONAL DIMENSIONS OF THIS PART ARE THE SAME AS PART RWM02a (SHT 3 of 4).

1994

8-SPACE W-BEAM GUARDRAIL

RWM08a-b

SHEET NO.	REF. NO.
1 of 2	RE-3-73