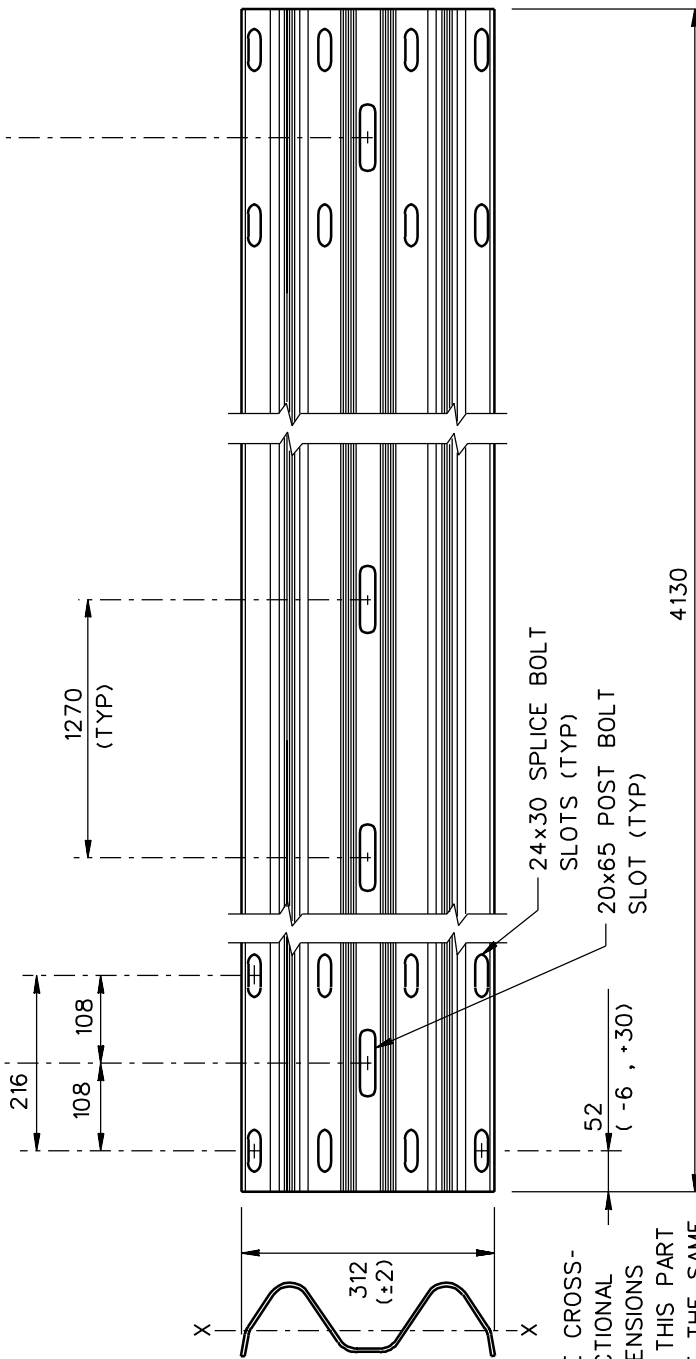


DESIGNATOR	BASE METAL THICKNESS
RWM03a	2.67
RWM03b	3.43

3 EQUAL POST HOLE SPACINGS @ 1270 EA



THE CROSS-SECTIONAL DIMENSIONS OF THIS PART ARE THE SAME AS PART RWM02a (SHT 3 of 4).

1994

3-SPACE W-BEAM GUARDRAIL

RWM03a-b

SHEET NO.	REF. NO.
1 of 2	RE-3-73