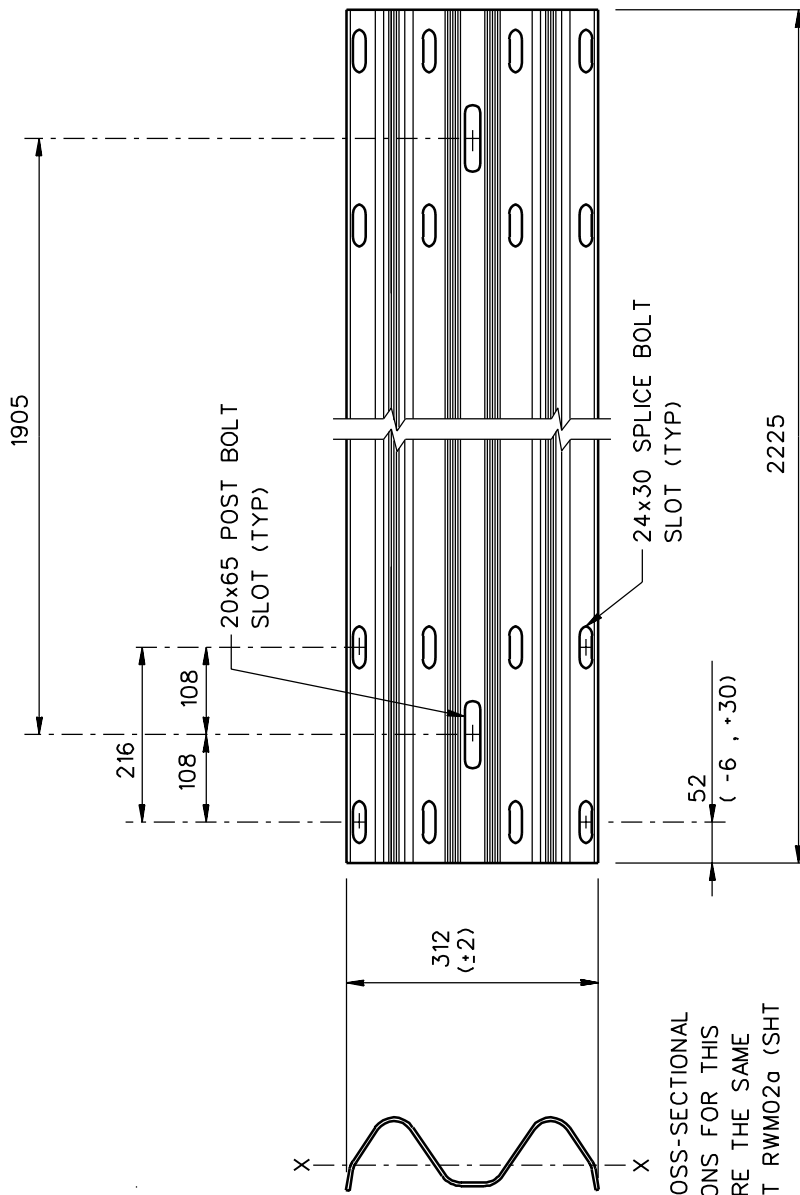


DESIGNATOR	BASE METAL THICKNESS
RWM01a	2.67
RWM01b	3.43



THE CROSS-SECTIONAL DIMENSIONS FOR THIS PART ARE THE SAME AS PART RWM02a (SHT 3 of 4).

1994

W-BEAM SPACER GUARDRAIL

RWM01a-b

SHEET NO.

REF. NO.

1 of 2

RE-3-73