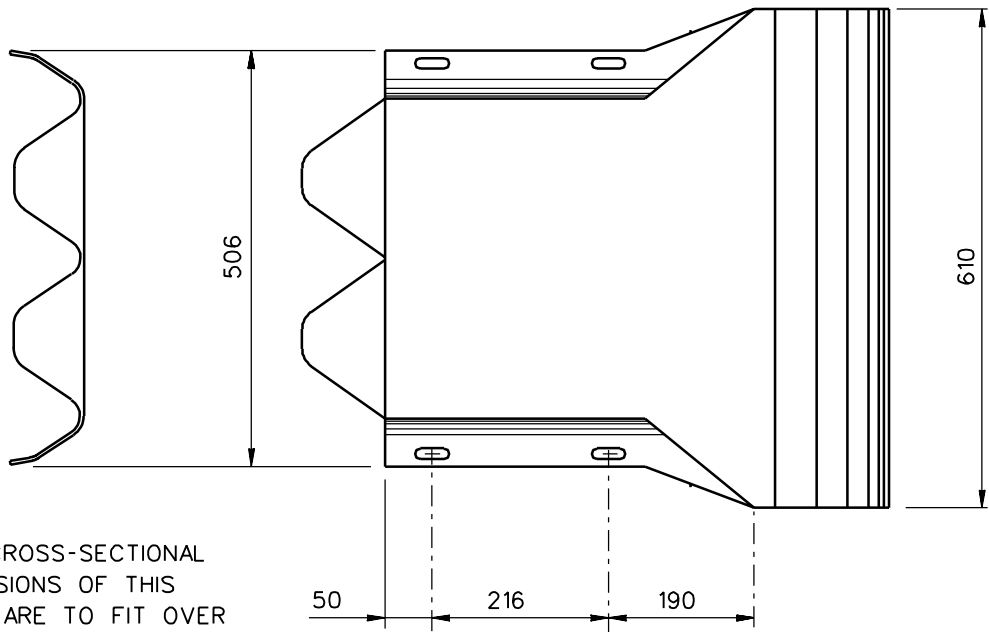
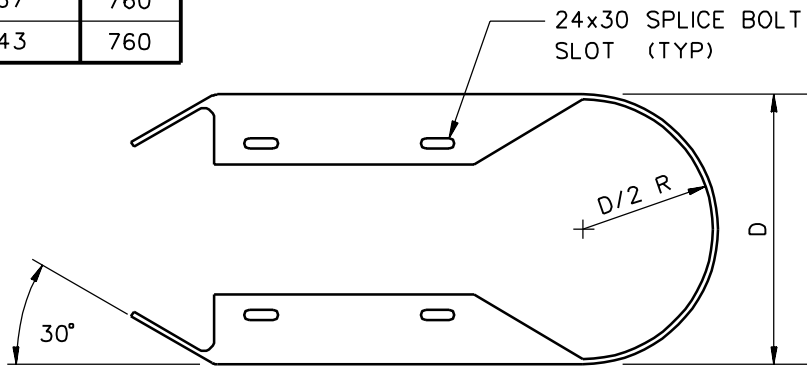


DESIGNATOR	BASE METAL THICKNESS	D
RTE03a	2.67	610
RTE03b	3.43	610
RTE04a	2.67	760
RTE04b	3.43	760



1994

## THRIE-BEAM END SECTION (BUFFER)

RTE03a-04b

SHEET NO.	REF. NO.
1 of 2	RE-66-79