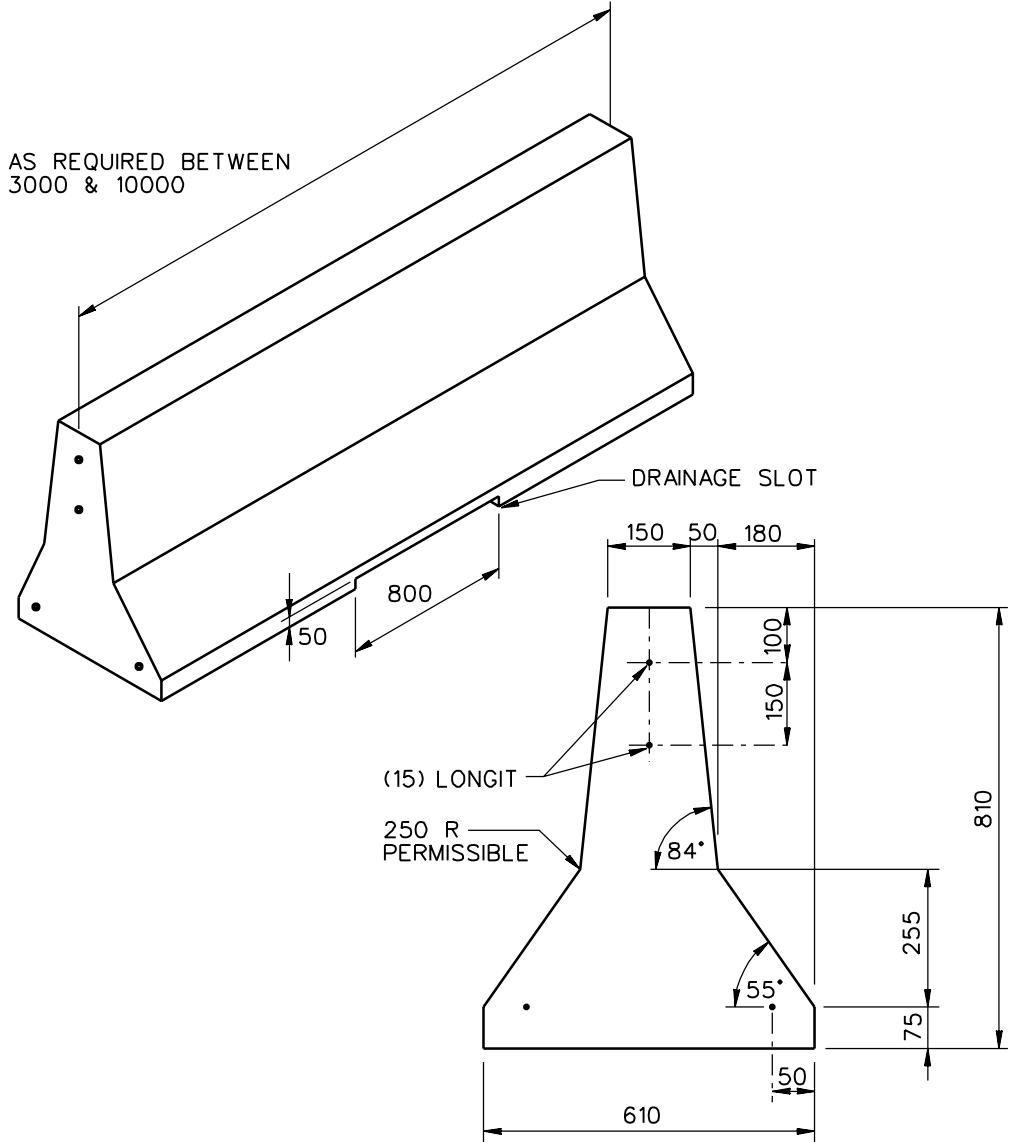


- NOTE:**
1. A CORNER RADIUS OF 25 IS PERMISSIBLE ON ALL EDGES UNLESS NOTED OTHERWISE.
 2. EMBED A SUITABLE CONNECTOR INTO THE CONCRETE AT EACH END.



CROSS-SECTION

SAFETY SHAPE PORTABLE CONCRETE BARRIER

ROM01

SHEET NO.	REF. NO.
1 of 2	PCB-8-88