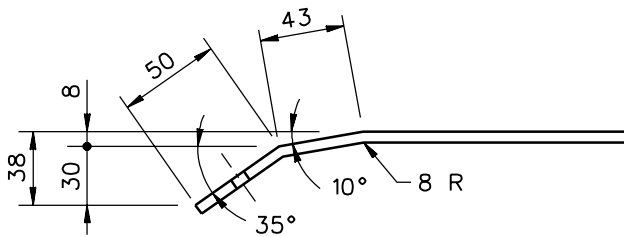
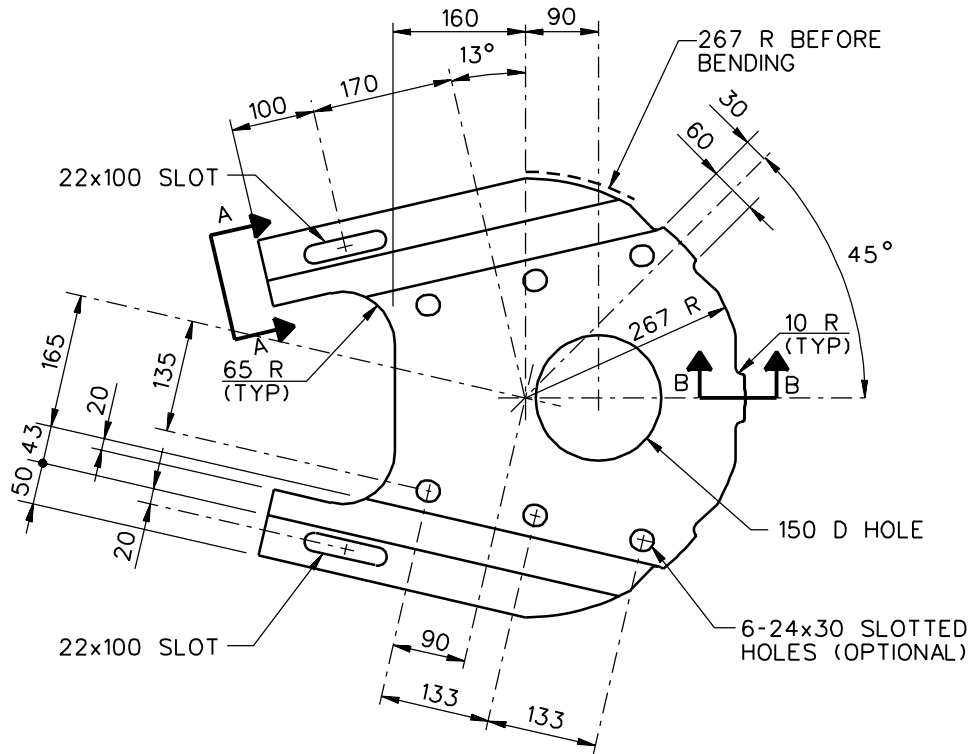
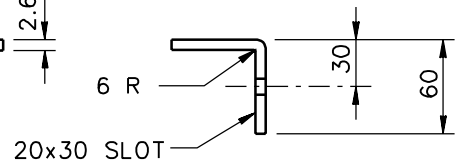


NOTES: 1. TWO DIAPHRAGM PLATES SHOULD BE BOLTED INSIDE AN RWE04a BUFFER SECTION USING FBB01 BOLTS AND NUTS.



DETAIL A-A



DETAIL B-B

1994

MELT DIAPHRAGM PLATE

REE01

SHEET NO.	REF. NO.
1 of 2	