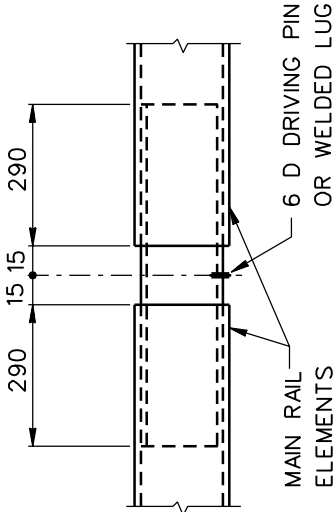
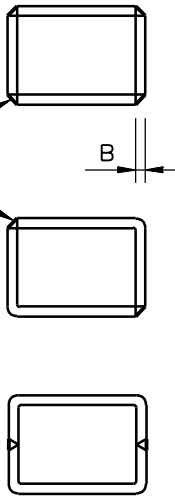


WELD & GRIND
AS REQUIRED



MAIN RAIL
ELEMENTS

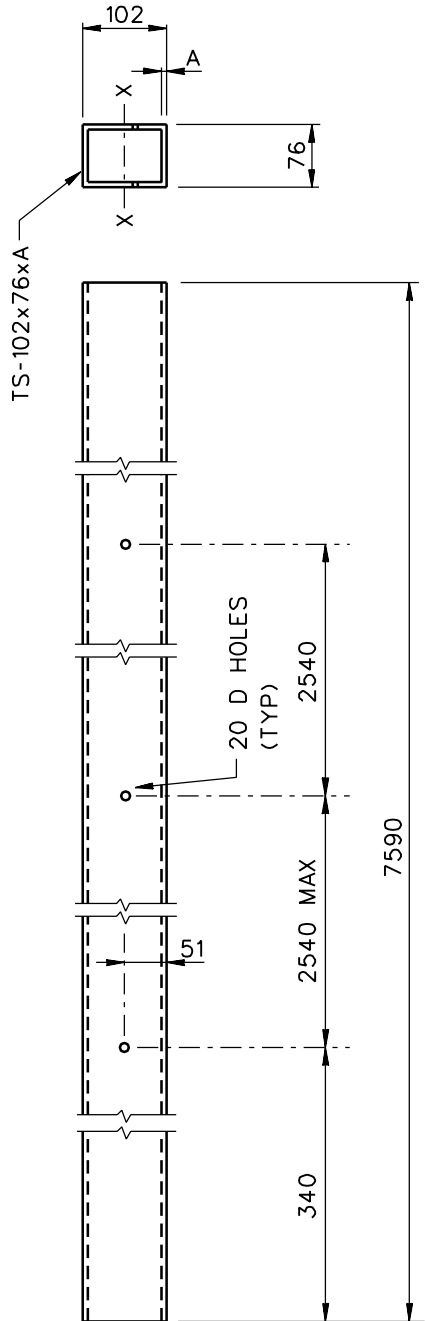
6 D DRIVING PIN
OR WELDED LUG

THE DIFFERENCE BETWEEN THE OUTSIDE
DIMENSIONS OF THE SPLICE SLEEVE AND
THE INSIDE DIMENSIONS OF THE RAIL
SHALL NOT EXCEED 3.

SLEEVE FABRICATION OPTIONS

DESIGNATOR	A	B	MATERIAL
RBM07a	4.8	5	A500 GRADE C
RBM07b	6.4	6	A500 GRADE B
RBM07c	7.9	6	A500 GRADE A OR A501

SPLICE DETAIL



ELEVATION

1994

RECTANGULAR TUBE BRIDGE RAILING

RBM07a-c

SHEET NO.

REF. NO.

1 OF 2