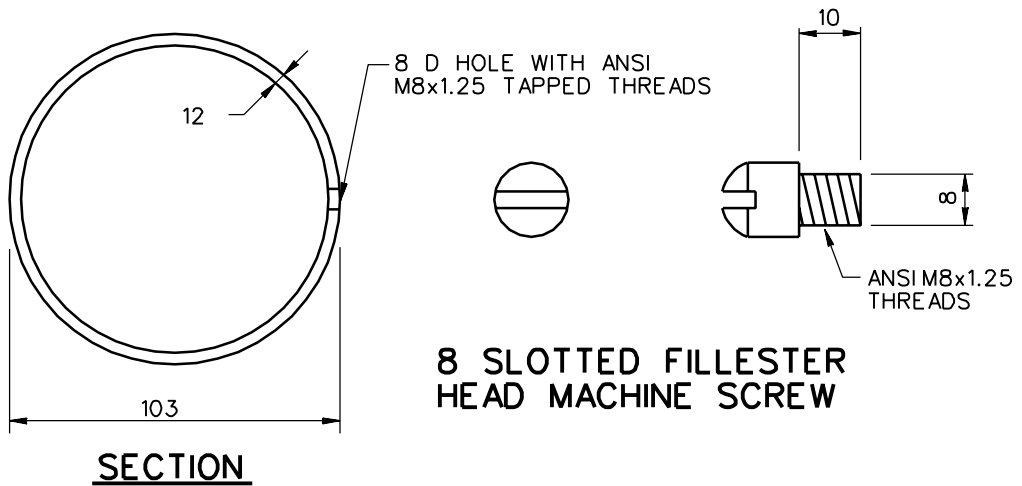


SPLICE & EXPANSION JOINT



1994

ROUND TUBE ALUMINUM RAIL SPLICE

RAS02	
SHEET NO.	REF. NO.
1 of 2	RE-40-73