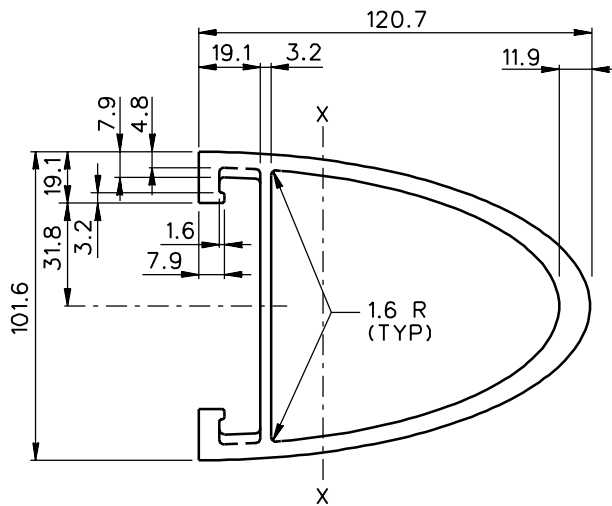


ELEVATION



SECTION

SEMI-ELLIPTICAL ALUMINUM BRIDGE RAIL

RAM06

SHEET NO.

REF. NO.

1 of 2

RE-58-73