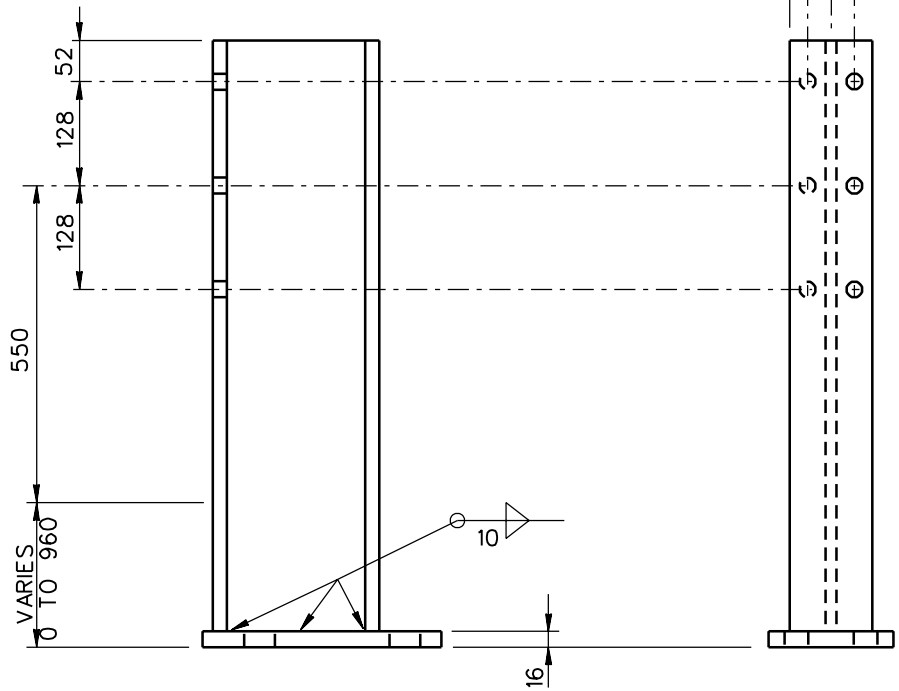
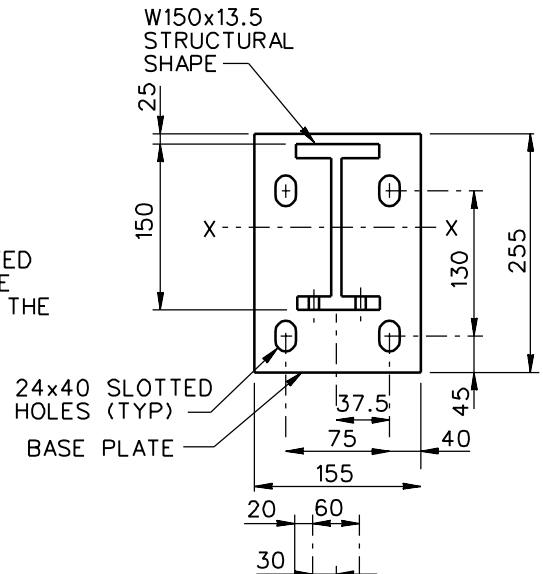


NOTES:

1. ALL HOLES 20 D UNLESS NOTED OTHERWISE.
2. THE POST LENGTH SHALL BE ADJUSTED SUCH THAT THE DISTANCE FROM THE ROAD SURFACE TO THE CENTER OF THE GUARDRAIL IS 550.



SIDE

FRONT

1994

CULVERT MOUNTED GUARDRAIL POST

PWF01

SHEET NO.	REF. NO.
1 of 2	P-42-79