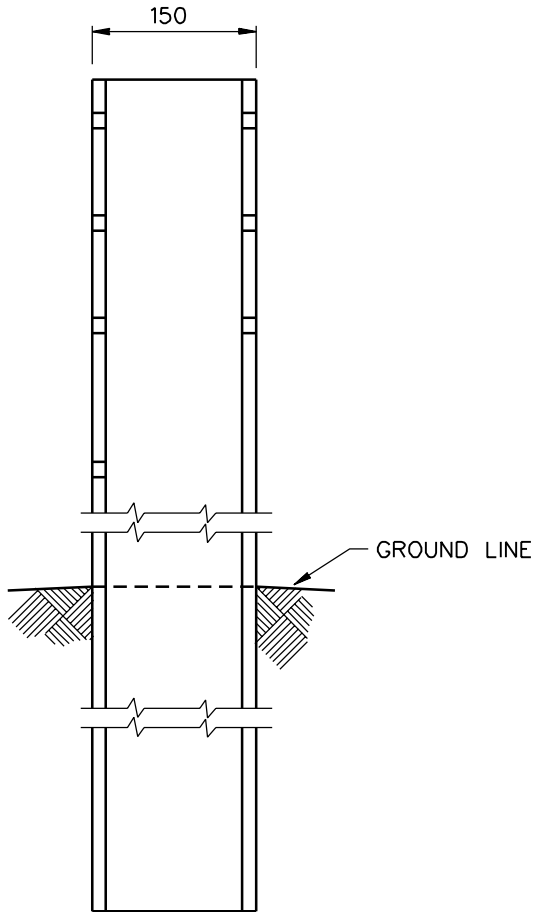
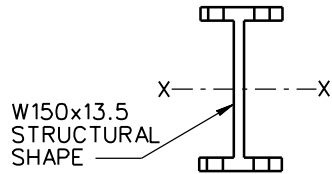
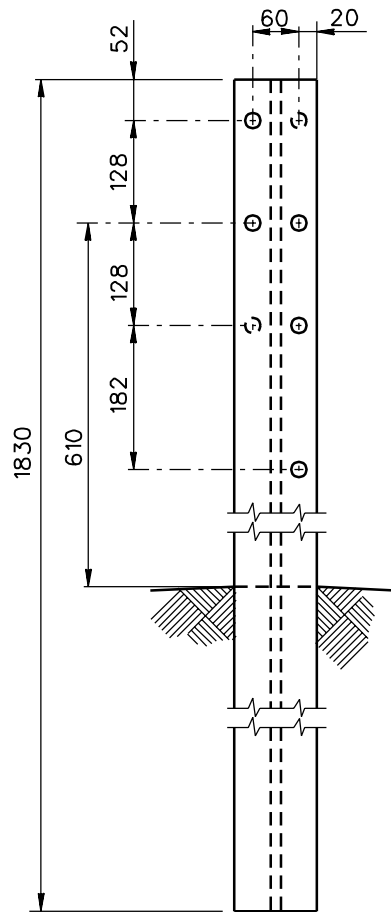


**NOTE:** ALL HOLES ARE 20 D.



SIDE



FRONT

1994

WIDE-FLANGE MEDIAN BARRIER POST

PWE05

SHEET NO.

REF. NO.

1 of 2