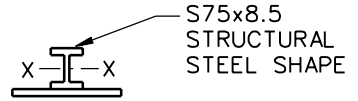
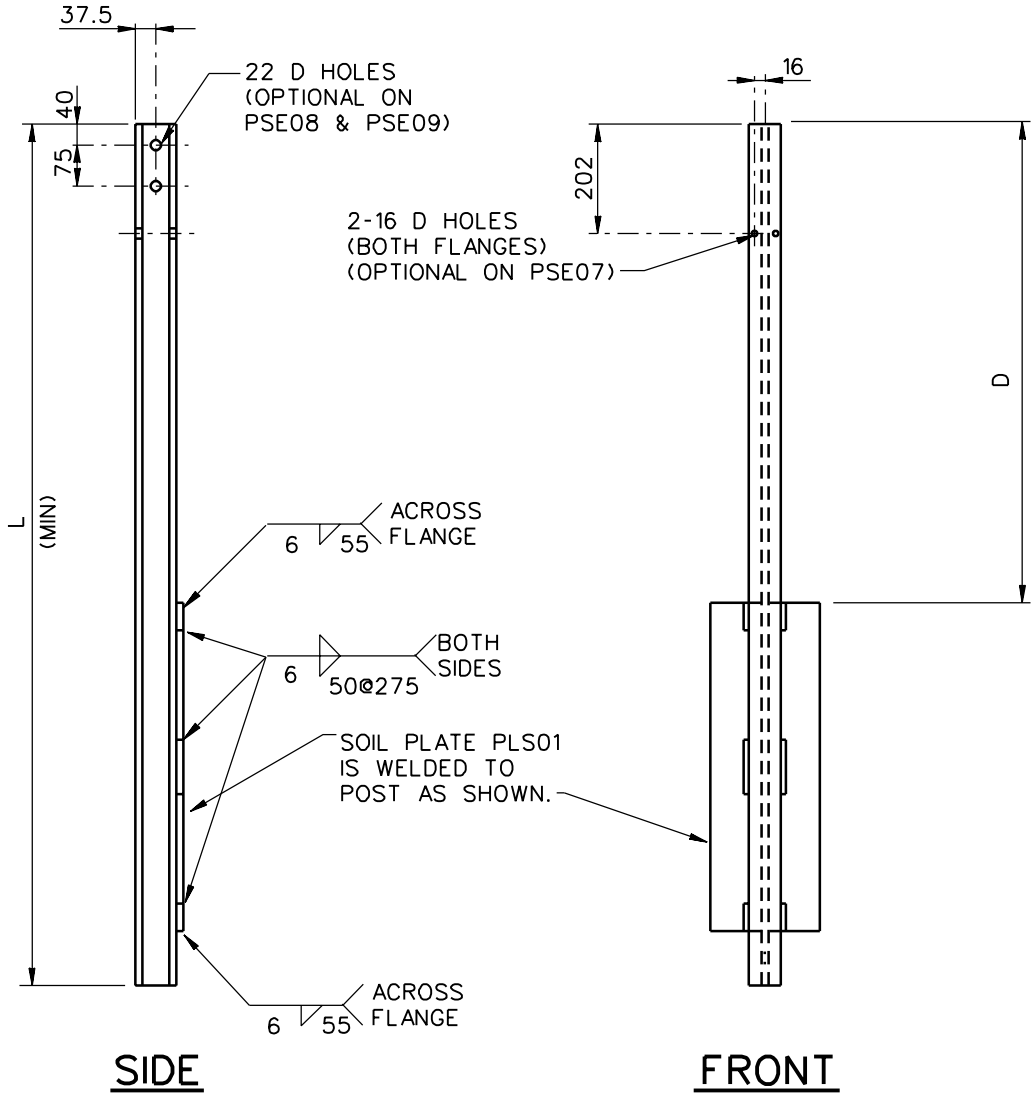


DESIGNATOR	L	D
PSE07	1365	655
PSE08	1600	900
PSE09	860	95



PLAN



1994

WEAK POST BOX BEAM POST & WELDED SOIL PLATE

PSE07-09

SHEET NO.	REF. NO.
1 of 2	P-6-79