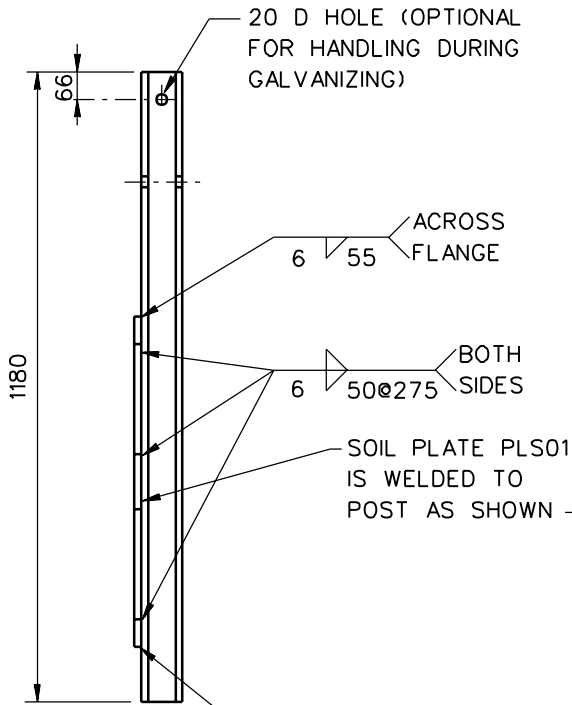
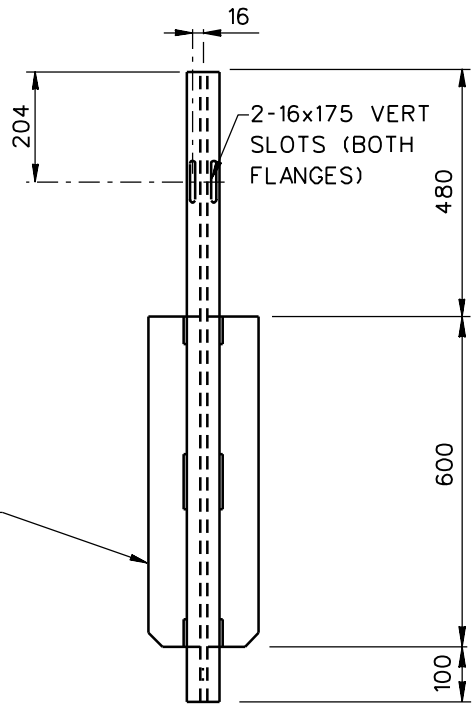


PLAN



SIDE



FRONT

1992

BOX BEAM ANCHOR POST

PSE05

SHEET NO.	REF. NO.
1 of 2	