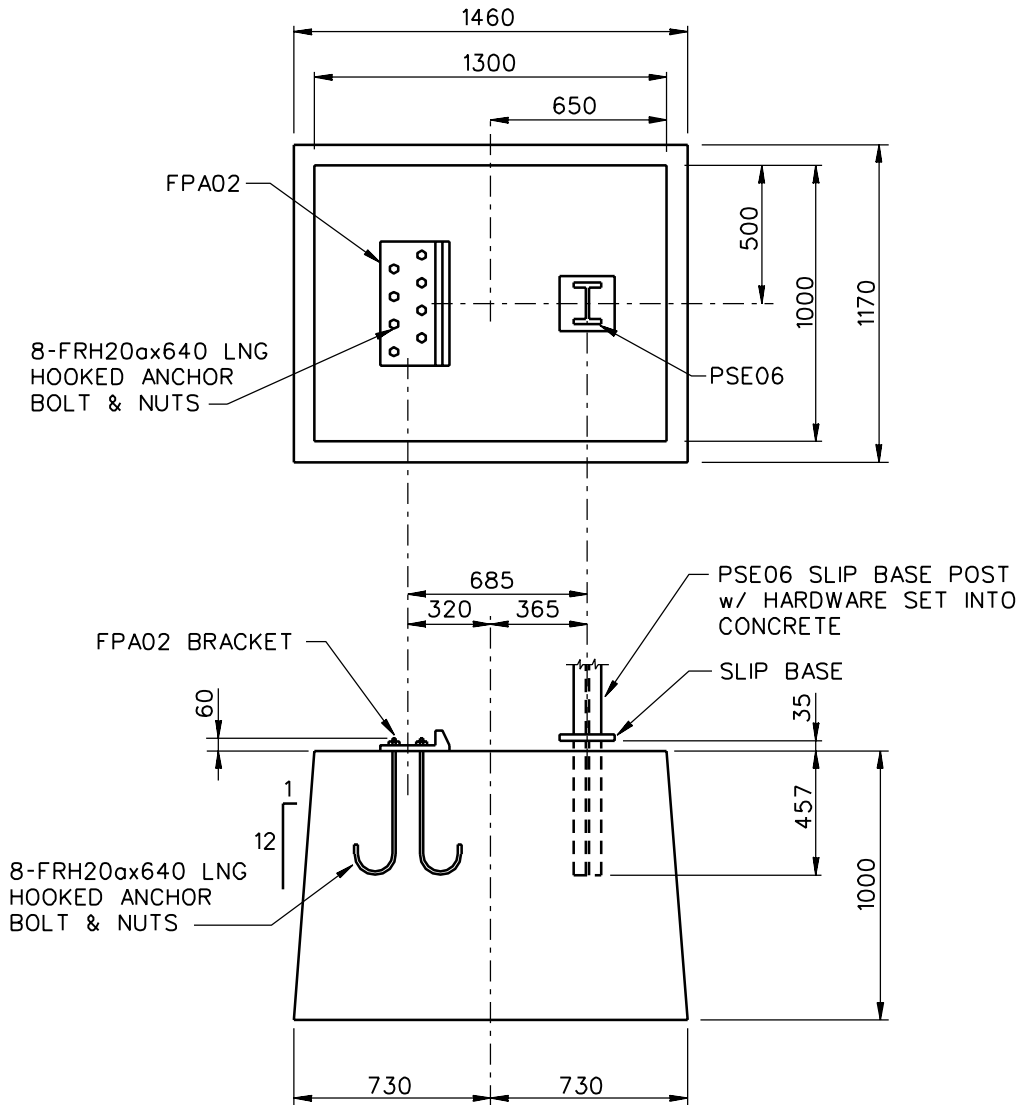


- NOTES:**
1. PLACE ANCHORS SO THE TOPS ARE LEVEL; WARP SLOPE TO FIT.
 2. THE ANCHOR MAY BE CAST AS EITHER ONE OR TWO UNITS AND IT MAY BE CAST IN PLACE OR PRECAST.
 3. THE CONCRETE ANCHOR BLOCK DOES NOT REQUIRE REINFORCEMENT.



1994

CABLE GUARDRAIL TERMINAL ANCHOR ASSEMBLY

POF03

SHEET NO.	REF. NO.
1 of 2	