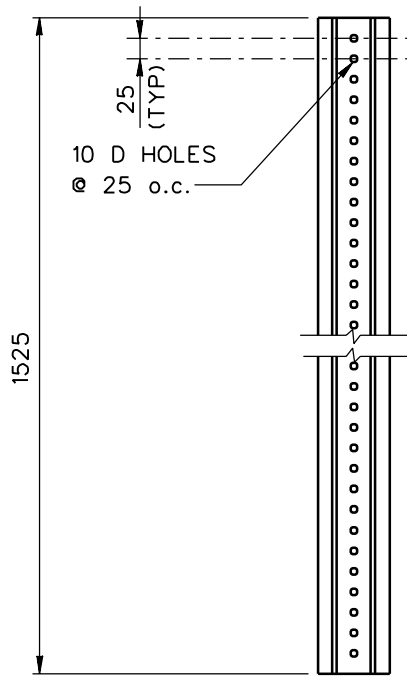


PLAN



SIDE



FRONT

1994

FLANGED-CHANNEL POST

PFE01

SHEET NO.	REF. NO.
1 of 2	