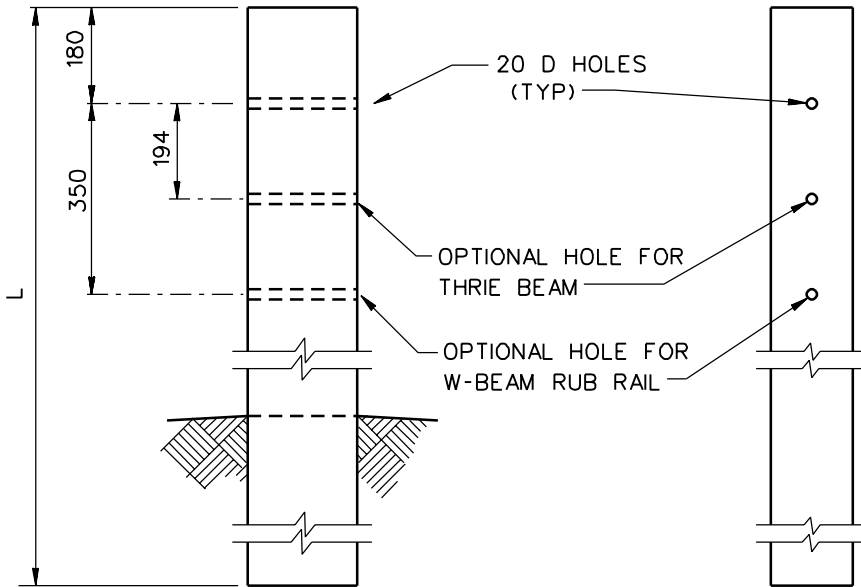


PLAN



SIDE

FRONT

DESIGNATOR	L	W	D
PDE01	1625	150	200
PDE02	1830	150	200
PDE03	1980	150	200
PDE04	2060	150	200
PDE05	1830	200	200
PDE06	1980	200	200
PDE07	1830	250	250
PDE08	1980	250	250

1994

TIMBER GUARDRAIL POST

PDE01-08

SHEET NO.	REF. NO.
1 of 2	P-11-79