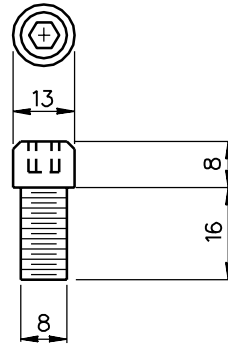
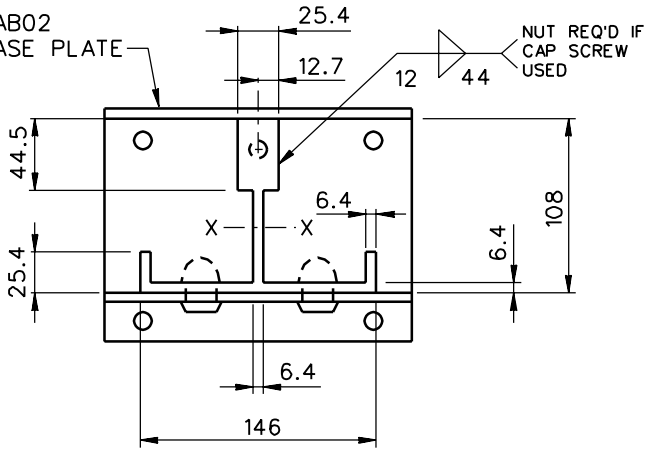


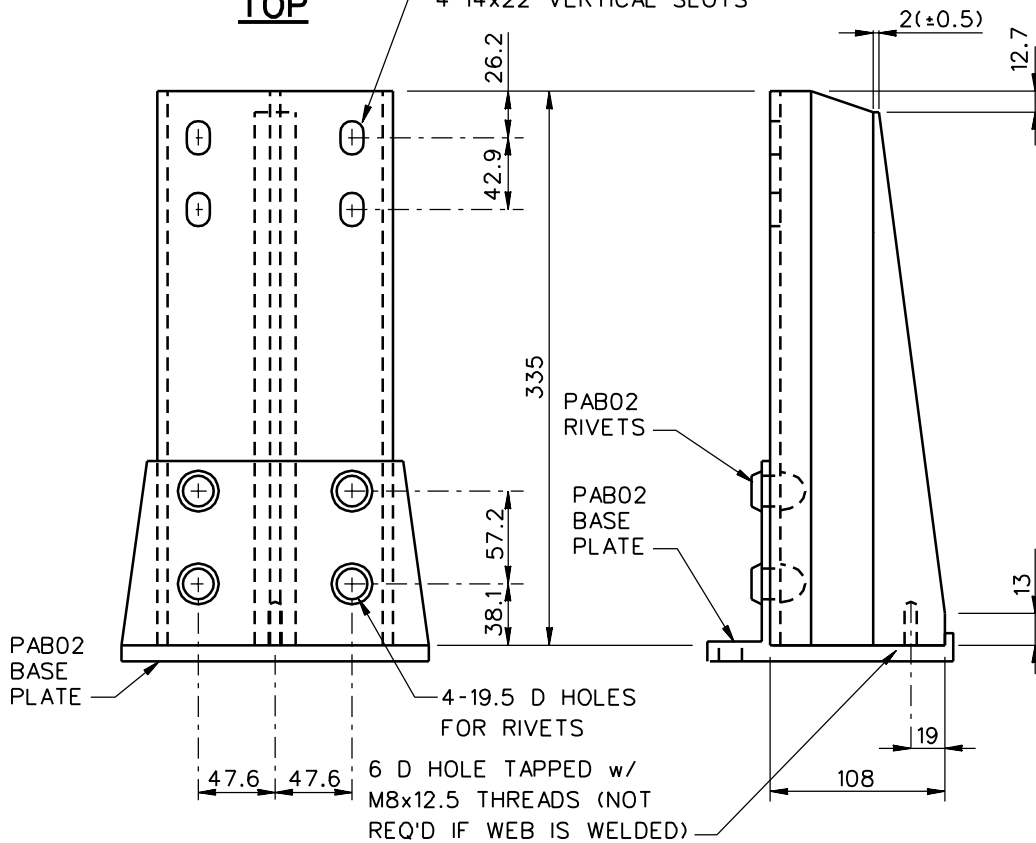
PAB02  
BASE PLATE



M8x1.25 SOCKET  
HEAD CAP SCREW

TOP

4-14x22 VERTICAL SLOTS



FRONT

SIDE

BR1 TYPE C ALUMINUM BRIDGE POST

PAF02

SHEET NO.	REF. NO.
1 of 2	P-35-73