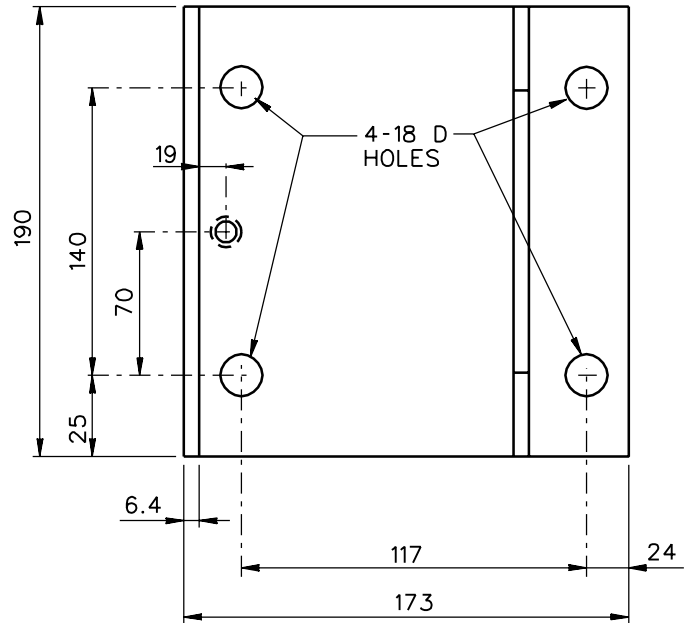
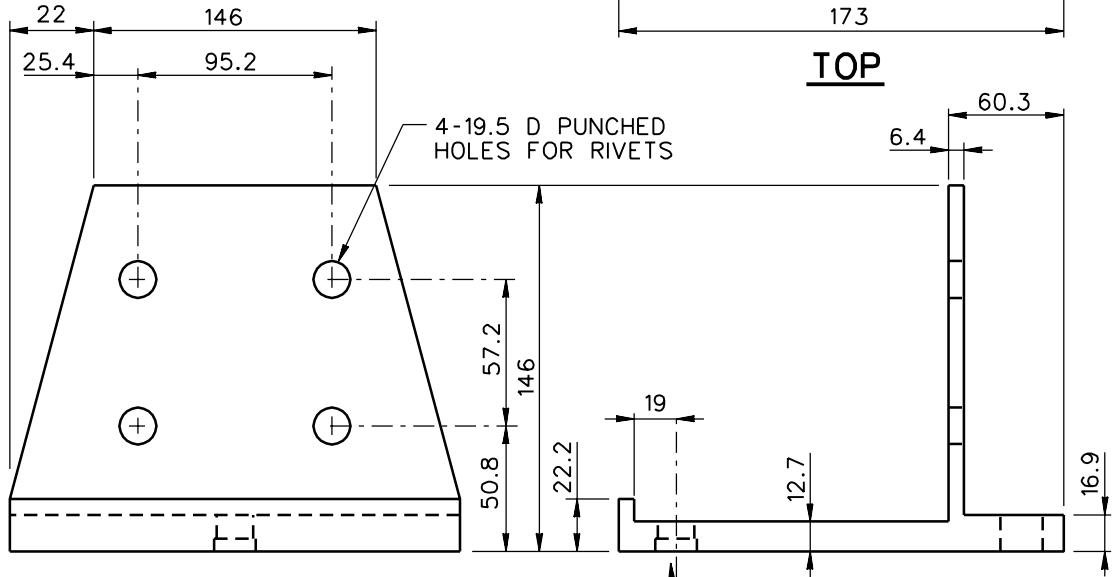


NOMINAL 20 HIGH
BUTTON-HEAD RIVET



TOP



FRONT

SIDE

4-19.5 D PUNCHED
HOLES FOR RIVETS

DRILL 9 D HOLE THROUGH 8
COUNTER BORE 8 DEEP w/ 14
D HOLE FOR 8 SOCKET HEAD
CAP SCREW

BR1 TYPE C ALUMINUM POST BASE PLATE

PAB02

SHEET:

REF. NO.

1 of 2

P-36-73