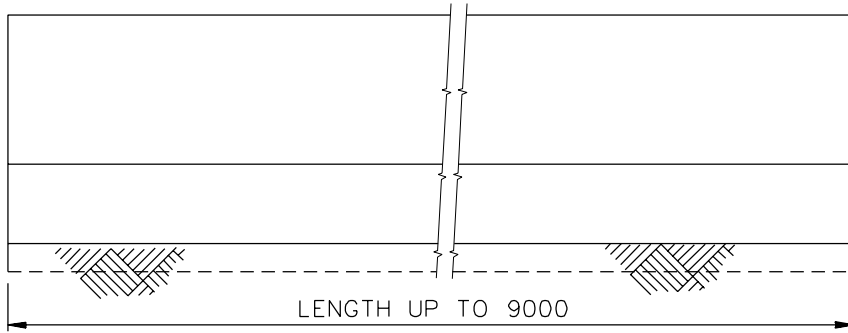
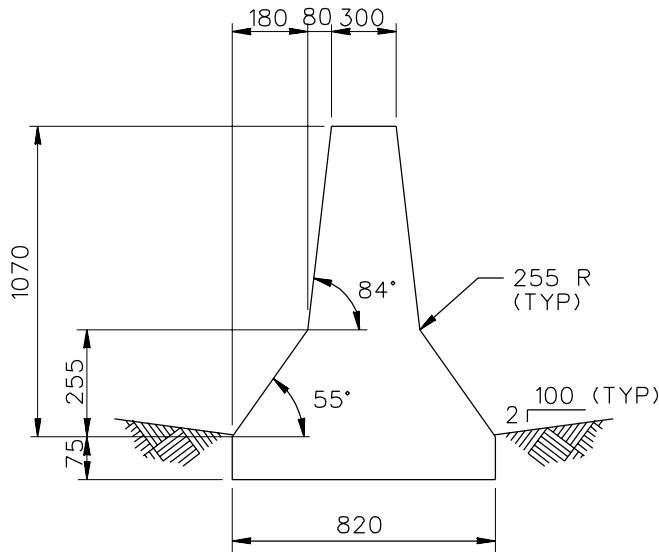


- NOTES:**
1. ALL EDGES SHALL BE ROUNDED WITH A 24 R EXCEPT AS SHOWN.
 2. THIS BARRIER DOES NOT USE REINFORCEMENT STEEL.
 3. BARRIER RESTS DIRECTLY ON COMPACTED GRAVEL. 75 THICK PAVEMENT OR COMPACTED GRAVEL LAYER PROVIDES LATERAL SUPPORT TO THIS BARRIER.



ELEVATION



SECTION

1994

TALL-WALL MEDIAN BARRIER

SGM12

SHEET NO.	REF. NO.
1 of 2	