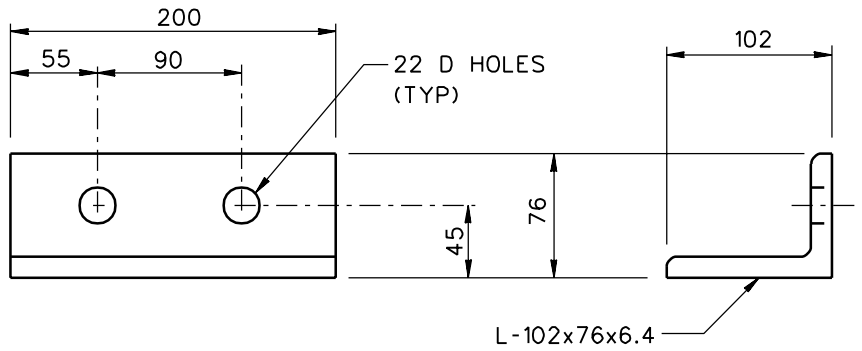


**ASSEMBLY DETAIL**



1994

**DRIVEWAY END POST BRACKET**

**FPP05**

SHEET NO.	REF. NO.
1 of 2	