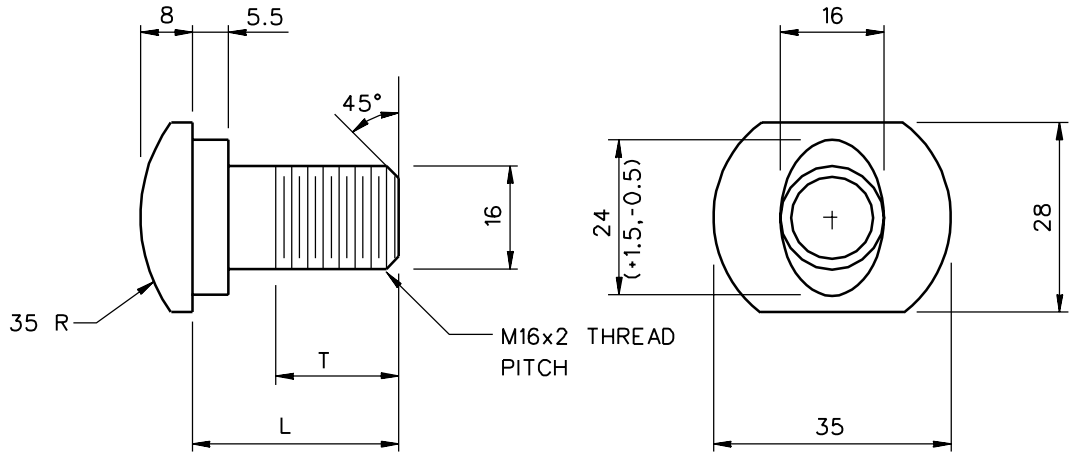
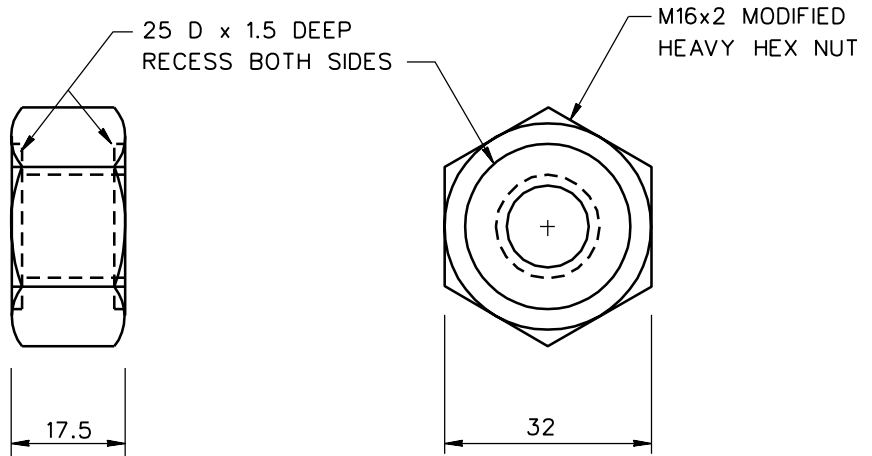


NOTE: 1. ALL FILLETS SHALL HAVE A MINIMUM RADIUS OF 2
 2. IF THE BOLT EXTENDS MORE THAN 6 FROM THE NUT THE BOLT SHOULD BE TRIMMED BACK.



DESIGNATOR	L	T (MIN)
FBB01	35	30
FBB02	50	45
FBB03	255	100
FBB04	460	100
FBB05	640	100



1976

GUARDRAIL BOLT AND RECESSED NUT

FBB01-05

SHEET NO. REF. NO.

1 of 2